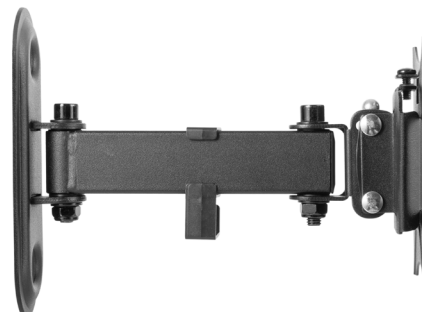
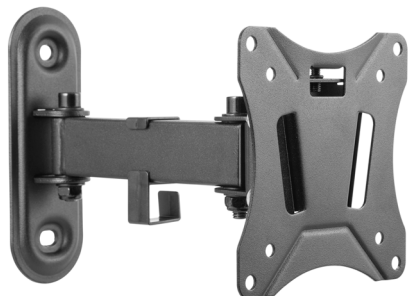


13"-27" display Full-motion wall mount

DELTACO
A NORDIC BRAND
OFFICE



PRODUCT DATA

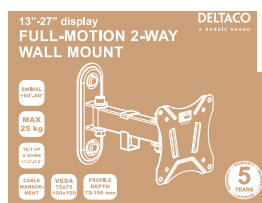
Compatible displays:	13"-27"
Max weight:	25 kg
VESA:	75x75,100x100
Profile depth:	72~196 mm
Product Category:	Full-motion Wall Mount
Pipe Size:	30x20x1.5mm (1.2"x0.79"x0.059")
Tilt Range:	+7.5°~-7.5°
Swivel Range	+90°~-90°
Material:	Steel
Metal Sheet Thickness:	Wall Plate THK=2.5mm hot-rolled sheet,VESA Panel THK=1.5mm cold-rolled sheet (Wall Plate THK=0.098" hot-rolled sheet,VESA Panel THK=0.059" cold-rolled sheet)
Surface Finish:	Powder Coating
Color:	Fine Texture Black
Dimensions:	150x115x196mm (5.9"x4.5"x7.7")
Mounting Hole Pattern :	VESA Only
Strength Tested:	2 Times Approved
Installation:	Solid Wall,Single Stud
Panel Type:	Detachable Panel
Wall Plate Type:	Fixed Wall Plate
Cable Management:	Yes
Anti-theft:	No
Bubble Level:	No
Accessory Kit Package:	Compartment Polybag

LOGISTICS DATA

Article number:	ARM-0250
Brand:	DELTACO
EAN Code:	7333048042644
Country of origin:	China
Custom tariff number:	83024900
Master carton packing unit:	10
Master carton gross weight:	9.88 kg
Master carton dimensions:	33 x 23 x 40 cm
Package type:	Box
Package weight:	0.93 kg
Package dimensions:	22 x 16 x 7.4 cm

PACKAGING

Package contents:	Wall mount, mounting kit for wall,mounting kit for display and manual
-------------------	---



-Image may differ from the actual package

Drawing

