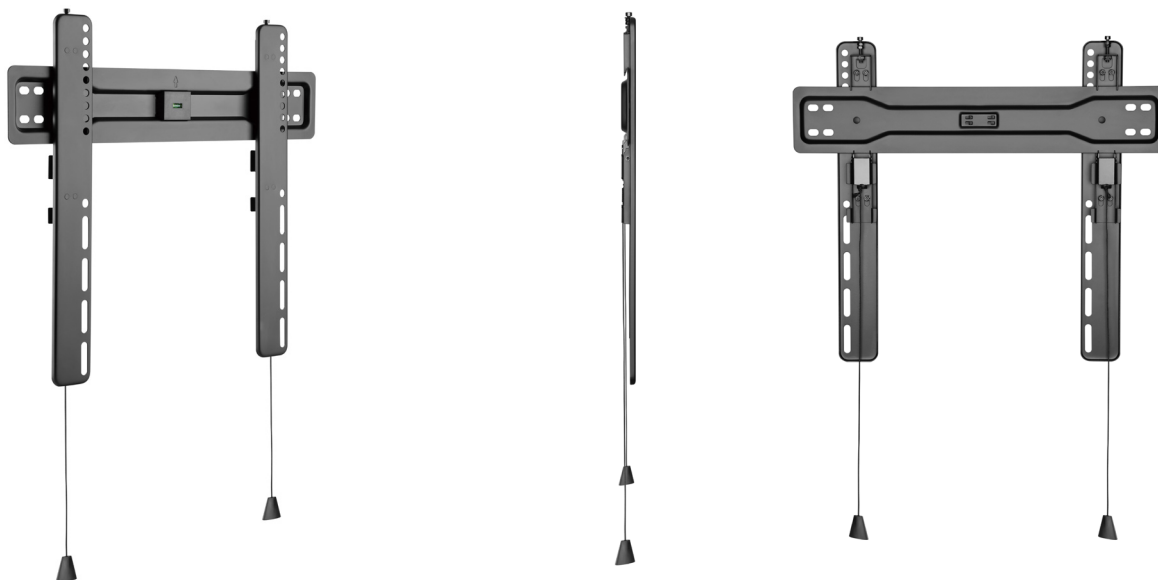


32"-55" display Ultra-slim fixed wall mount

DELTACO
A NORDIC BRAND
OFFICE



PRODUCT DATA

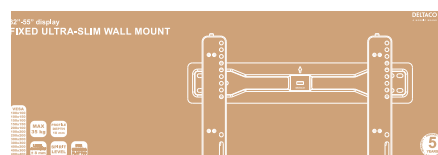
Compatible displays:	32"-55"
Max weight:	36 kg
VESA:	100x100, 100X150, 150X100, 150x150, 200x100, 100X200, 200x200, 300X200, 300X300, 400x200, 400X300, 400x400
Profile depth:	18 mm
Product Category:	Fixed Wall Mount
Material:	Steel, Plastic
Metal Sheet Thickness:	Bracket Arm THK=1.5mm pickling sheet, Wall Plate THK=1.5mm cold-rolled sheet (Bracket Arm THK=0.059" pickling sheet, Wall Plate THK=0.059" cold-rolled sheet)
Surface Finish:	Electroplating, Powder Coating, Electrophoresis
Color:	Matte Black
Dimensions:	18x502x440mm (0.71"x19.8"x17.3")
Mounting Hole Pattern :	VESA & Universal
Strength Tested:	4 Times Approved
Installation:	Double Stud(406mm/450mm), Solid Wall
Panel Type:	Detachable Panel
Wall Plate Type:	Fixed Wall Plate
Cable Management:	No
Anti-theft:	No
Bubble Level:	Built-in Bubble Level (Integrated on Wall Plate)
Accessory Kit Package:	Normal/Ziplock, Polybag, Compartment Polybag

LOGISTICS DATA

Article number:	ARM-0150
Brand:	DELTACO
EAN Code:	7333048042545
Country of origin:	China
Custom tariff number:	83024900
Master carton packing unit:	6
Master carton gross weight:	12.92 kg
Master carton dimensions:	58 x 39 x 18.5 cm
Package type:	Box
Package weight:	2 kg
Package dimensions:	56.5 x 18.5 x 5.5 cm

PACKAGING

Package contents: Wall mount, mounting kit for wall, mounting kit for display and manual



-Image may differ from the actual package

Drawing

