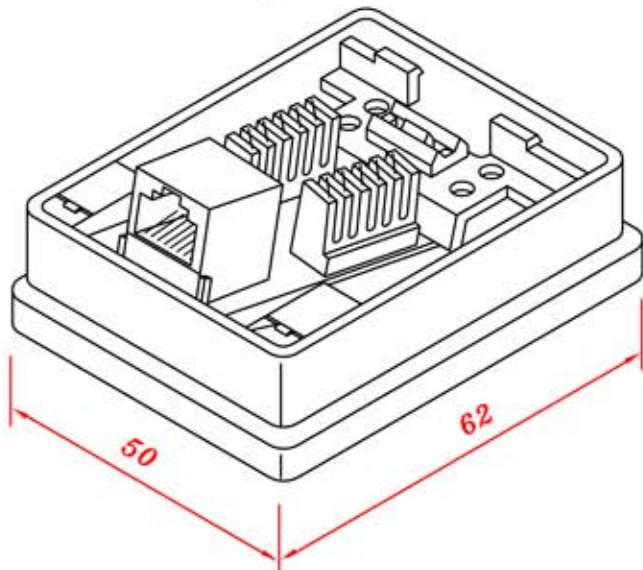
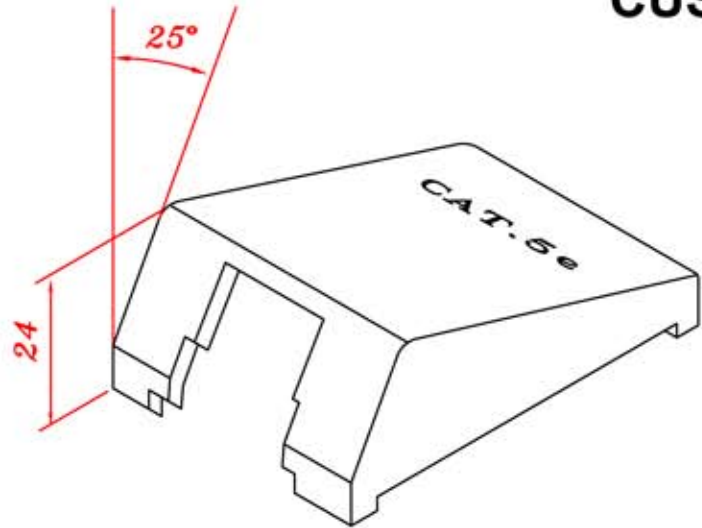


RevNo	Revision note	Rev-By	RevDate	Signature	Checked

CATEGORY 5E ANGLED TYPE SURFACE MOUNT BOX

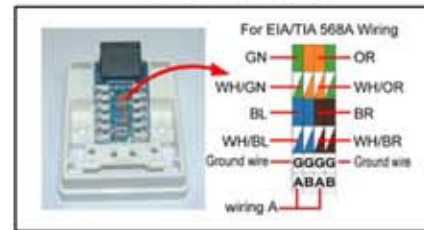
CUSTOMER NO: VR-3



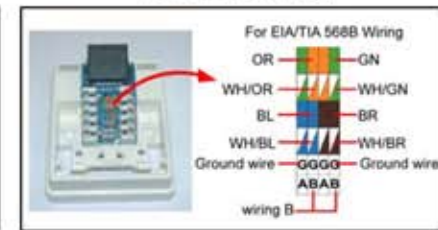
KEY FEATURES:

- Single Port Angled Type Surface Mount Box
- Color: RAL9010
- Wiring : EIA/TIA 568AB

For 568A wiring



For 568B wiring



- IDC Block : LSA Block
- Exceeds all TIA/EIA 568B category 5e and ISO 11801 class D component standard requirements at swept frequencies up to 100MHZ.
- Certified performance channel up to 100 meters and exceeds requirements of the TIA/EIA 568-B and ISO 11801 class D.

ITEM NO.				
CUSTOMER NO.	VR-3			
DESIGNED BY ALEX	DATE	041102	UNIT	MM
	SCALE	xx	VER.	1
NO.	Checked by			
APPR:	Approved by -date			