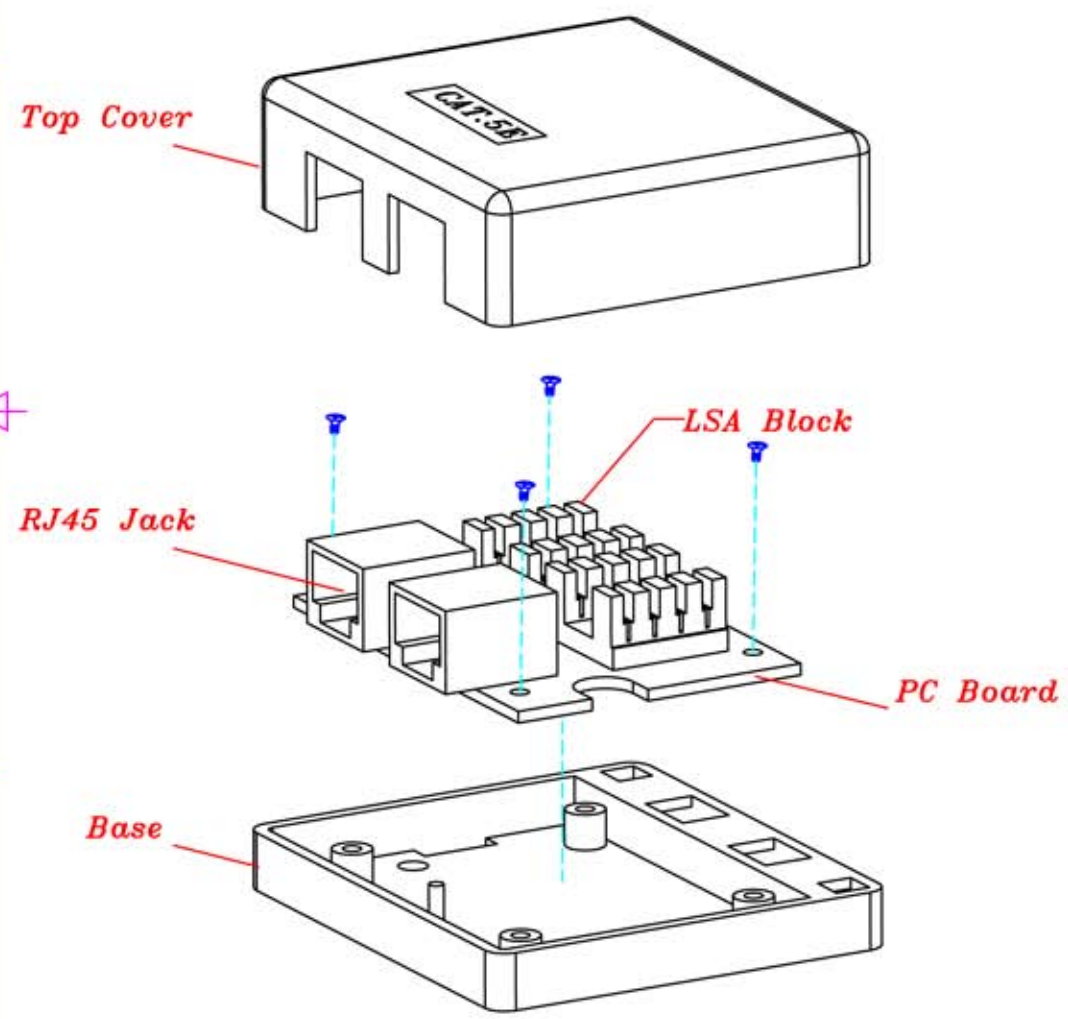


RevNo	Revision note	Rev-By	RevDate	Signature	Checked

CATEGORY 5E SURFACE MOUNT BOX

CUSTOMER NO: VR-2



Features:

- Dual Ports CAT.5E SURFACE MOUNT BOX
- Exceeds all TIA/EIA 568B Category 5E and ISO 11801 class d component standard requirements at swept frequencies up to 100MHZ
- IDC Block : LSA Block
- Wiring: EIA/TIA 568AB
- Dimensions: 67 x 60 x 26 mm

ITEM NO.				
CUSTOMER NO.	VR-2			
DESIGNED BY ALEX	DATE	060323	UNIT	MM
	SCALE	xx	VER.	1
NO.	Checked by			
APPR:		Approved by -date		