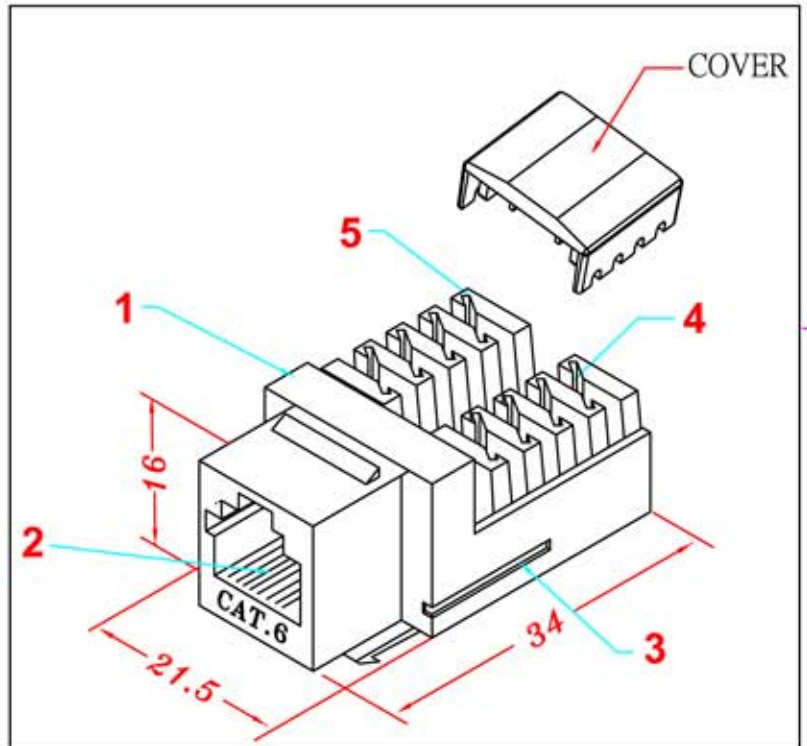
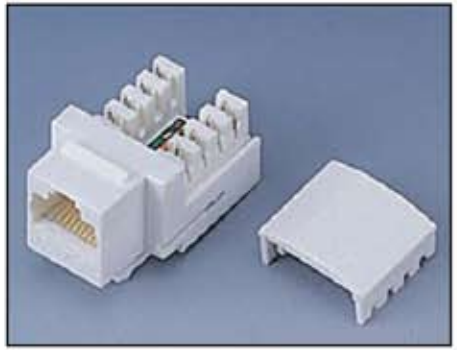
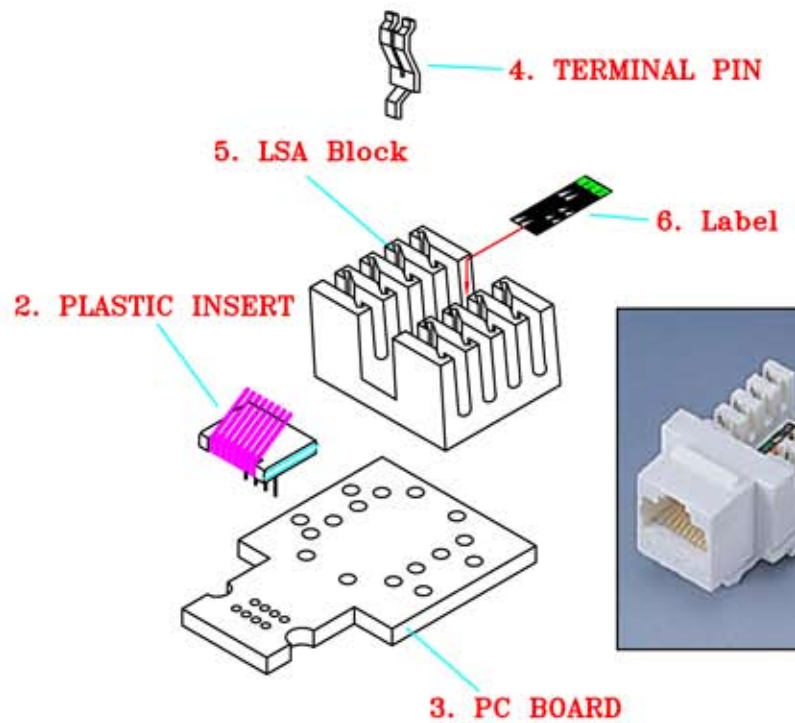


RevNo	Revision note	Rev-By	RevDate	Signature	Checked

KEYSTONE JACK - CATEGORY 6

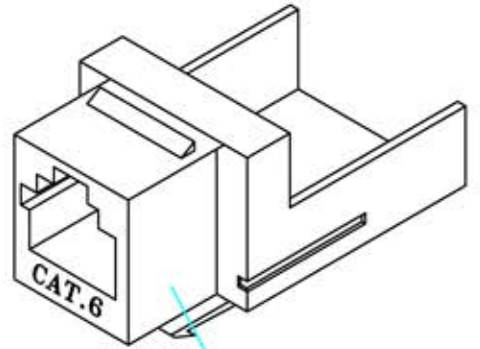
CUSTOMER NO: VR100 (White)

CUSTOMER NO: VR-100B (Black)



Wiring : 568AB

1	PLASTIC HOUSING
2	PLASTIC INSERT
3	PC BOARD
4	TERMINAL PIN
5	LSA BLOCK
6	LABEL



1. PLASTIC HOUSING

ITEM NO.				
CUSTOMER NO.	VR-100 / VR-100B			
DESIGNED BY ALEX	DATE	060709	UNIT	MM
	SCALE	xx	VER.	1
NO.	Checked by			
APPR:		Approved by -date		