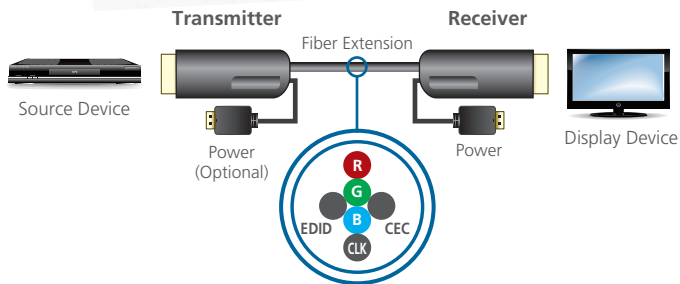


# VE872/VE873

## HDMI Active Optical Cable

- The VE872/VE873 HDMI Active Optical Cable utilizes ATEN's unique AOC+™ technology that enables conversion between input signals and optical signals for optimum high bandwidth data transmissions. This EMI-resistant optical cable comes in 15m and 30m cable lengths with full support of 1080p resolutions that can withstand extreme conditions while improving speed and distance. It's fully compliant with HDMI standards and provides support for high-speed transmission, 3D and 4K x 2K resolutions. This cable is the ideal solution for extending the reach of your digital signage in various settings, such as in large shopping malls and hospital facilities.

**\*Note:** For extended cable lengths, ask your ATEN dealer about the VE874 50 m or VE875 100 m optical cables.



## Features

- Converts electrical data signals to optical signals
- HDMI (3D, 4kx2k, Deep Color); HDCP Compatible
- Superior video quality – up to 4096 x 2160
- RF/EMI free for clear signal transmission
- Easy to install with optical fiber cable
- Powered remote unit via USB Cable
- High data transfer rates of 10.2 Gbps
- Plug-and-play – no software required

## Highlights

### AOC+™

#### Active Optical Cable Plus

AOC+™ is a technology that converts input signals into fiber optic signals between connectors over long distances.

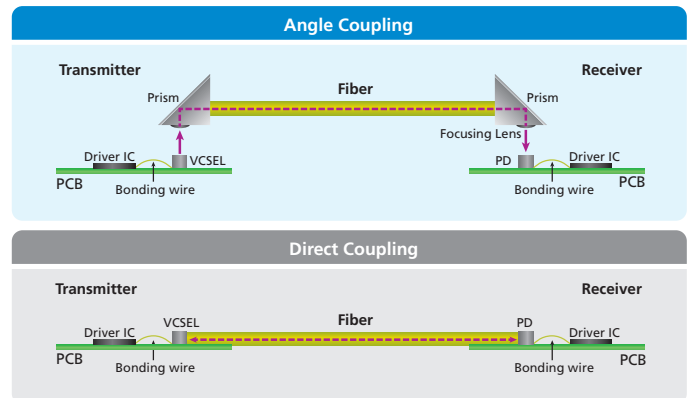
Using the EMI-free fiber optic cable as the medium between connectors to transmit signals, AOC+™ delivers the best AV quality with pure HDMI integration compatibility and high-bandwidth transmissions without signal degradation.

**Direct coupling** – uses a simple passive alignment scheme to interconnect optical signals from 2 ends without involving a coupling capacitor, offering a high-speed data transmission without signal interference.

**Automated Manufacturing** – mass produced in an automation process that generates a higher yield rate with better reliability.

**Guide Pin Design** – The exclusive Guide Pin design of the fiber connectors helps to reduce the production time to provide better product stability and reliability in the long run.

**Fiber Dust Cover** – The built-in light engine dust cover prevents the bare fiber from being exposed and damaged by external forces, which in return prolongs its lifetime.



## Specification

Function		VE872	VE873
Connectors	Input	1 x HDMI Type A male (Black)	
	Output	1 x HDMI Type A male (Black)	
	USB	1 x USB Type A male (White)	
Power Consumption		DC 5V, 1W	
Cable Length		15 m	30 m
Environment	Operating Temp.	0-60°C	
	Storage Temp.	-20°C - 60°C	
	Humidity	0-85% RH, Non-condensing	
Physical Properties	Housing	Metal	
	Weight	150 g	250 g

### ATEN International Co., Ltd.

3F., No.125, Sec. 2, Datong Rd., Sijih District., New Taipei City 221, Taiwan  
 Phone: 886-2-8692-6789 Fax: 886-2-8692-6767  
 www.aten.com E-mail: marketing@aten.com

Printed 10/2014 V3.0



© Copyright 2014 ATEN® International Co., Ltd.  
 ATEN and the ATEN logo are trademarks of ATEN International Co., Ltd.  
 All rights reserved. All other trademarks are the property of their respective owners.