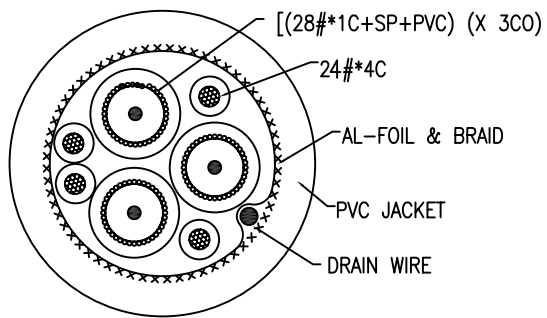
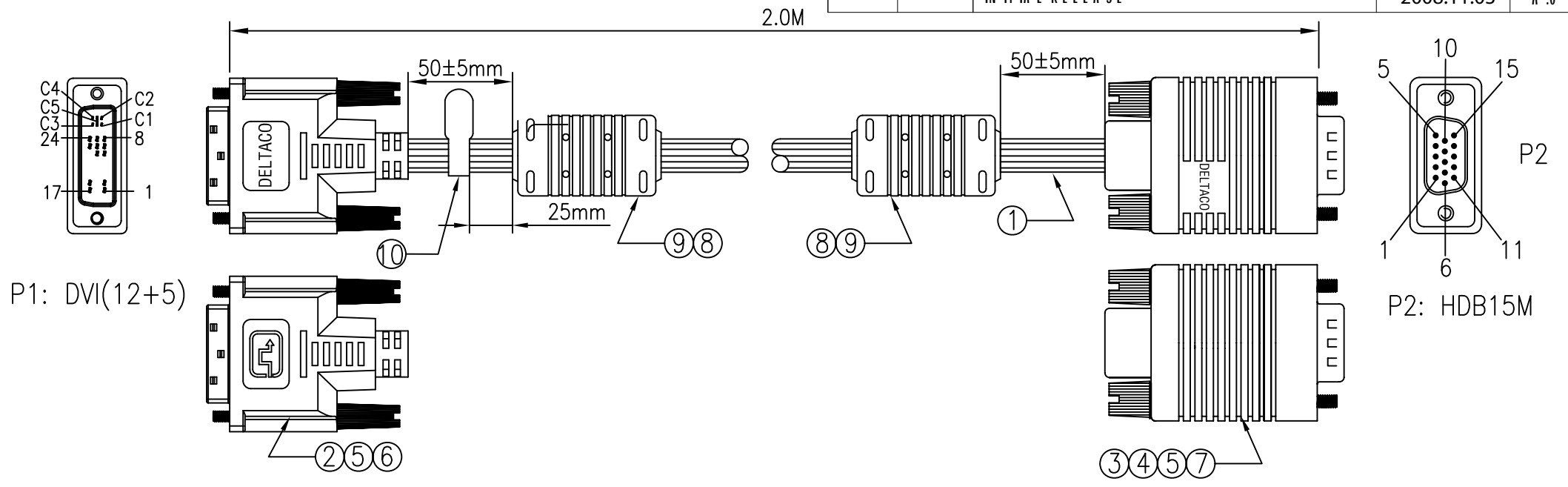
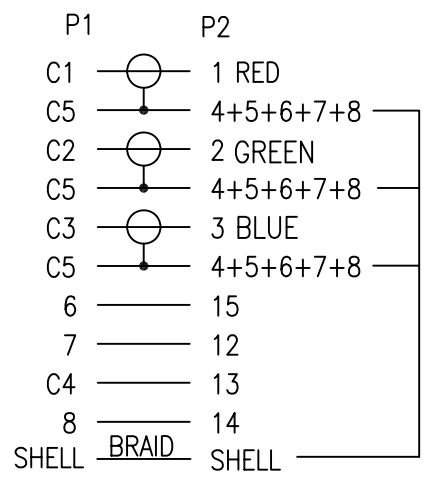


BY	CHK	REVISION RECORD MODIFICATIONS	DATE	REV.
		INITIAL RELEASE	2008.11.03	A.0



PIN OUT



- NOTES:
- ELECTRICAL PROPERTIES:
 - 100% OPEN AND SHORT TEST
 - CONDUCTOR RESISTANCE: 5 OHMS
 - INSULATION RESISTANCE: 10 MEGOHMS
 - HI-POT: DC300V/0.01S
 - ALL MATERIAL BE RoHS COMPLIANT.

⑩	TAG	1PCS	DELTACO TAG
⑨	CORE MOLD	2PCS	BLACK PVC
⑧	CORE	2PCS	OD*ID*L: 17.5*9.5*28.5mm
⑦	HDMI SCREW	2PCS	#4-40 UNC, 4*46mm HOOD MOLDED: BLACK PVC
⑥	DVI SCREW	2PCS	#4-40 UNC, 4*45mm HOOD MOLDED: BLACK PVC
⑤	HOOD MOLD	2PCS	BLACK PVC
④	INNER MOLD	1PCS	PE
③	HDMB 15 M	1PCS	GOLD PLATED SHELL
②	DVI(12+5)M	1PCS	GOLD PLATED SHELL
①	CABLE	1PCS	(28AWG*1C+S+PVC)*3+24AWG*4C+AEB OD:8.2mm BLACK PVC JACKET
NO.	PARTS NAME	Q'TY	SPECIFICATION

APPROVED	CHECKED	DRAWN	CUSTOMER:
			ITEM NO. VE013-A
			DRAW NO.
			UNIT mm
			SCALE NONE

DESCRIPTION :
DVI(12+5)/M-HDB 15/M

