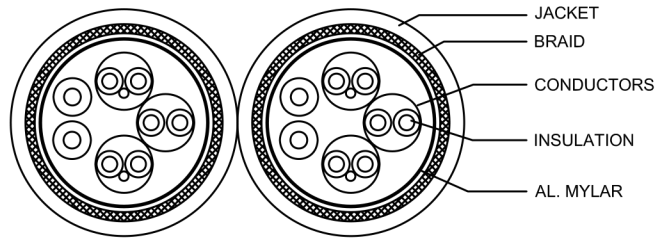
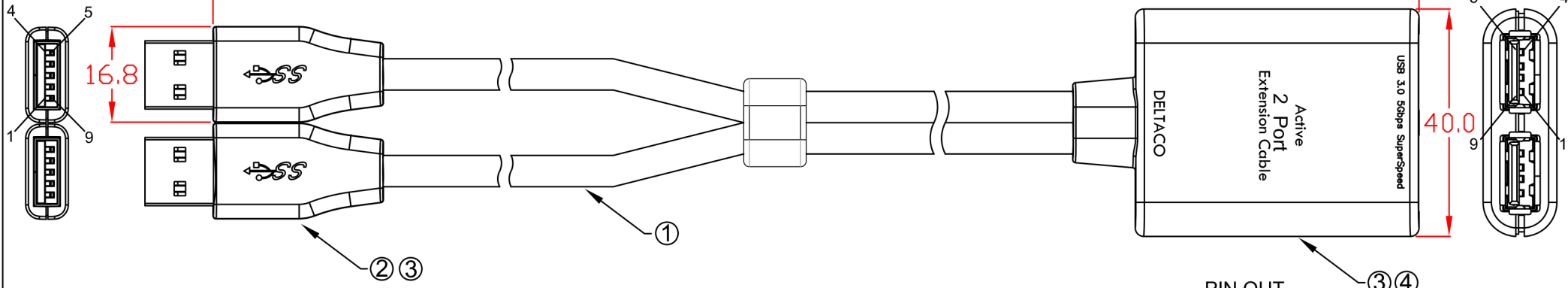
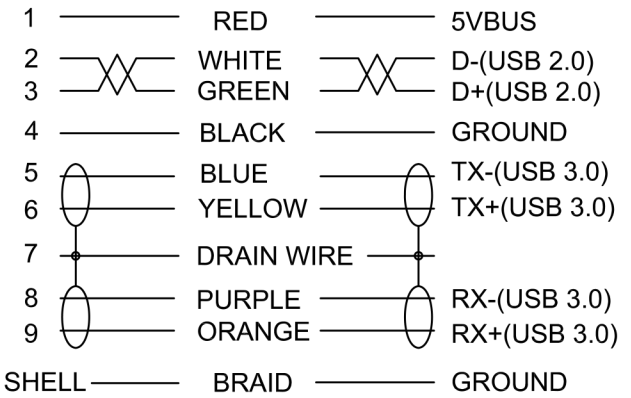


5000±30



PIN OUT

USB A(M)



MATERIALS LIST:

- CABLE:UL2725 (28AWG*1PR+D+AM)x2C(28AWG*1PR+AM)x1C+24AWG*2C+AM+B
85% OD:5.5mm JACKET PVC COLOR:BLUE
- CONNECTOR:USB 3.0 A/M 9P INSULATOR Blue SOLDER TYPE
PIN 30u" NICKEL PLATED SHELL
- ABS COLOR:BLUE
- CONNECTOR:USB 3.0 A/F 9P INSULATOR Blue SOLDER TYPE
PIN 30u" NICKEL PLATED SHELL

DRAWN	CHECKED	APPROVED	MATERIAL	UNIT
			-	mm
DRAWING NAME	DRAWING NO.	PART NO.	SCALE	REV.
USB3-2EX5M			1 : 1	1.0



DELTAACO

