

UPort® 204/207

4 and 7-port entry-level USB hubs



- > Hi-Speed USB 2.0 for up to 480 Mbps USB transmission
- > USB-IF Certification
- > Compatible with USB 1.1 devices
- > 15 KV ESD Level 4 protection for all USB ports
- > Wall mountable
- > Comprehensive diagnostic LEDs
- > Full 500 mA of power per port
- > Choose bus power or external power (UPort® 204 only)



Introduction

The UPort® 204 and UPort® 207 are entry-level USB 2.0 hubs that expand 1 USB port into 4 and 7 USB ports, respectively. The hubs are designed to provide true USB 2.0 Hi-Speed 480 Mbps data transmission through each port, even for heavy-load applications. The UPort® 204/207 have received USB-IF Hi-Speed certification, which is an indication that both products are reliable, high quality USB 2.0

hubs. In addition, the hubs are fully compliant with the USB Plug & Play spec and provide a full 500 mA of power per port, ensuring that your USB devices will function properly. The UPort® 204/207 hubs' support of 12-40 VDC power makes them ideal for mobile applications. Externally powered USB hubs are the only way to guarantee the broadest compatibility with USB devices.

USB-IF Certification

The UPort® 204/207 USB 2.0 entry-level USB hubs have passed USB-IF (USB Implementers Forum) certification. USB-IF verifies a number of strict electrical requirements for the Hi-Speed USB operation of USB hubs designed to the USB 2.0 specification. This means that the UPort® 204/207 support Hi-Speed USB 2.0 for up to 480 Mbps

USB transmission, which is fully compliant with interoperability requirements, is enough power for devices to function, and provides for a successful transition back to high-speed operation from the suspend state.

ESD Level 4 Protection

Electrostatic discharge (ESD) could be as severe as having more than one thousand volts of ESD with a high rise time (dv/dt) break through the junction layer of protective devices. In order to avoid serious

damage, Moxa's UPort® 204/207 USB hubs provide ESD level 4 (contact 8 KV, air 15 KV) protection, which increases the quality and value of the user's end-product.

Specifications

USB Interface

Compliance: USB 1.1/2.0 compliant

Upstream: 1 USB port, Type B connector

Downstream:

UPort® 204: 4 USB ports, Type A connectors

UPort® 207: 7 USB ports, Type A connectors

Speed: 480 Mbps (Hi-Speed USB) and 12 Mbps (Full-Speed USB)

Supply Current: 500 mA max. per channel

Physical Characteristics

Housing: Polycarbonate (PC)

Dimensions:

UPort® 204: 70 x 35 x 120 mm (2.76 x 1.38 x 4.72 in)

UPort® 207: 80 x 35 x 185 mm (3.15 x 1.38 x 4.72 in)

Environmental Limits

Operating Temperature: 0 to 60°C (32 to 140°F)

Operating Humidity: 5 to 95% RH

Storage Temperature: -20 to 75°C (-4 to 167°F)

Regulatory Approvals: EN61000-3-2, EN61000-3-3, EN61000-4-2, EN61000-4-3, EN61000-4-4, EN61000-4-5, EN61000-4-6, EN61000-4-8, EN61000-4-11, EN61000-6-2, EN61000-6-4, FCC Part 15 Class A, UL508, LVD

Power Requirements

Input Voltage: 12 to 40 VDC external power

Power Consumption:

UPort® 204: 1210 mA @ 12 VDC, 610 mA @ 24 VDC, 430 mA @ 36 VDC

UPort® 207: 2170 mA @ 12 VDC, 1070 mA @ 24 VDC, 730 mA @ 36 VDC

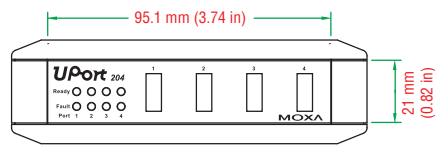
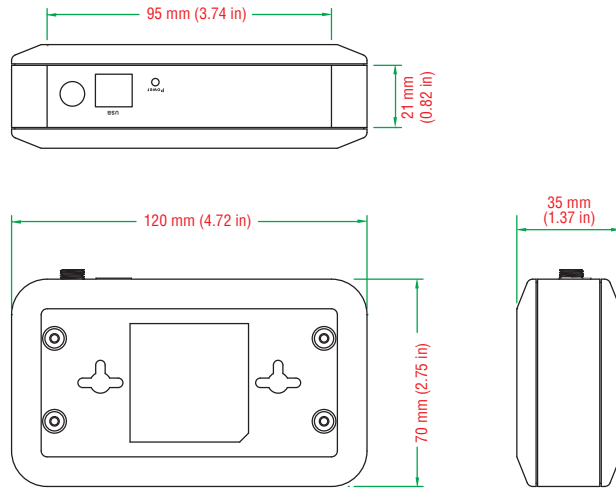
Warranty

Warranty Period: 5 years

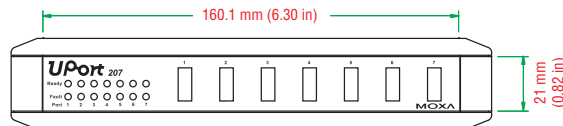
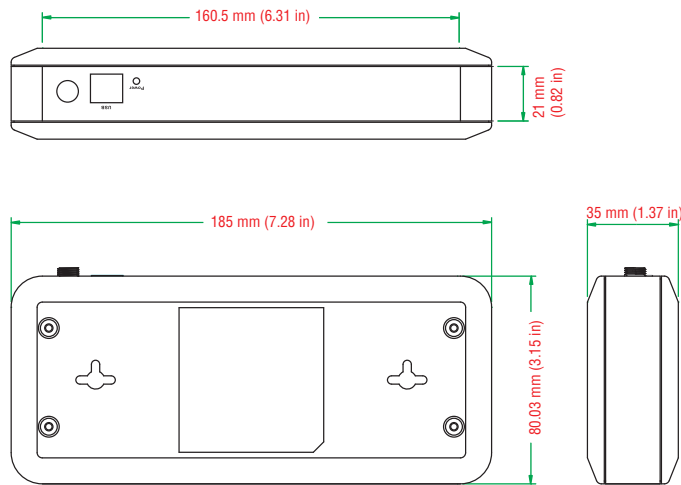
Details: See www.moxa.com/warranty

Dimensions

UPort® 204



UPort® 207



: Ordering Information

Available Models

UPort® 204: 4-port entry-level USB hub, adaptor included

UPort® 207: 7-port entry-level USB hub, adaptor included

Package Checklist

- UPort® 204 or UPort® 207 entry-level USB hub
- USB-IF certified cable
- Power adaptor
- Quick Installation Guide (printed)
- Warranty Card