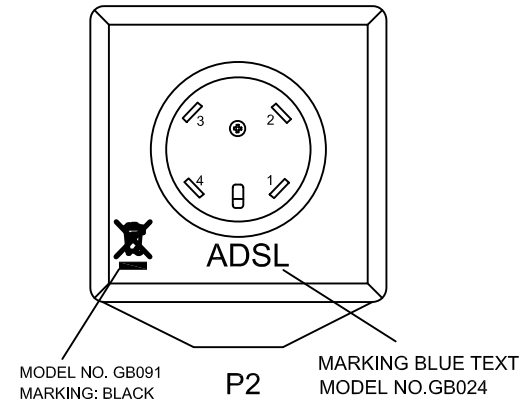
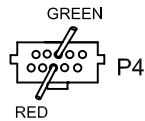
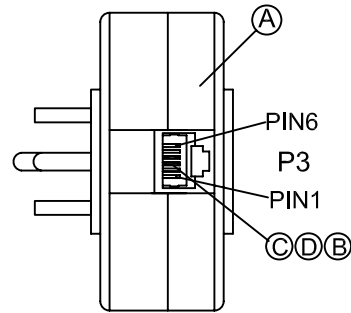
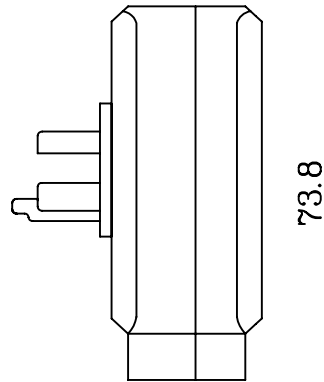
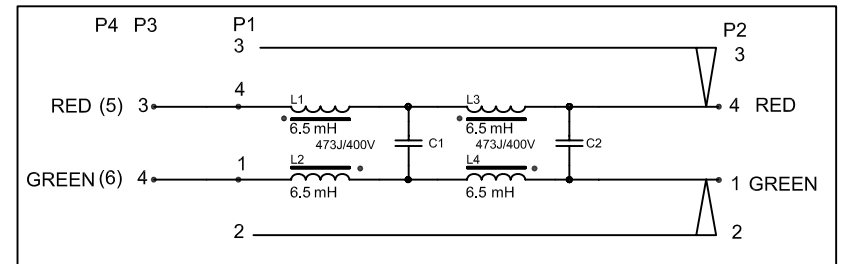
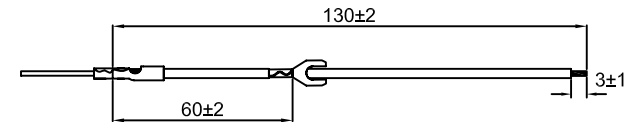


MARKING BLUE TEXT
MODEL NO.GB063 P1



MODEL NO. GB091
MARKING: BLACK P2
MARKING BLUE TEXT
MODEL NO.GB024



NOTES:

- 1.TESTING:100%OPEN AND SHORT TEST
- 2.ALL MATERIAL BE ROHS COMPLIANT

L1,L2,L3,L4:6.5mH+/-5% (DCR=15歐 MAX) C1,C2:473J/400V				
D	TYPE	13MM;15MM (GREEN PART)	PCS	2
C	WIRE	UL#1061 26AWG 130MM 60MM (GREEN PART)	PCS	4
B	JACK	US JACK 6P2C ABS 94V-2 WHITE (GREEN PART)	PCS	1
A	/	SWEDISH PLUG AND SOCKET ABS 94V-2 WHITE (GREEN PART)	PCS	1
	ITEM	DESCRIPTION	UNIT	QTY

APPROVED	CHECKED	DRAWN	CUSTOMER:	
			ITEM NO.	SPLITTER
			DRAW NO.	
			UNIT	mm
			SCALE	NONE

DESCRIPTION:

SWEDISH PLUG AND SOCKET /
US JACK 6P2C

