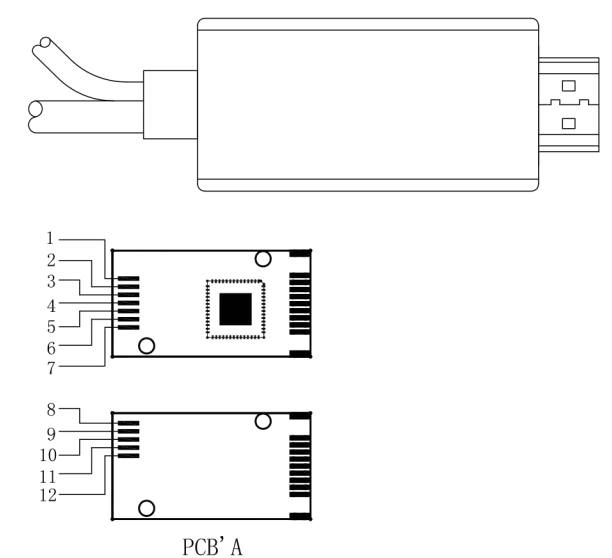
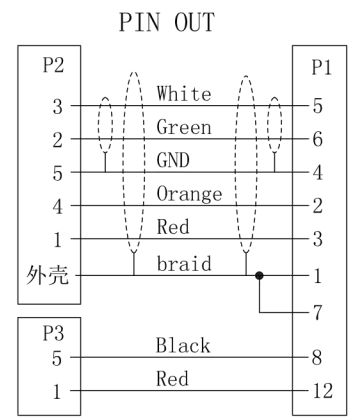
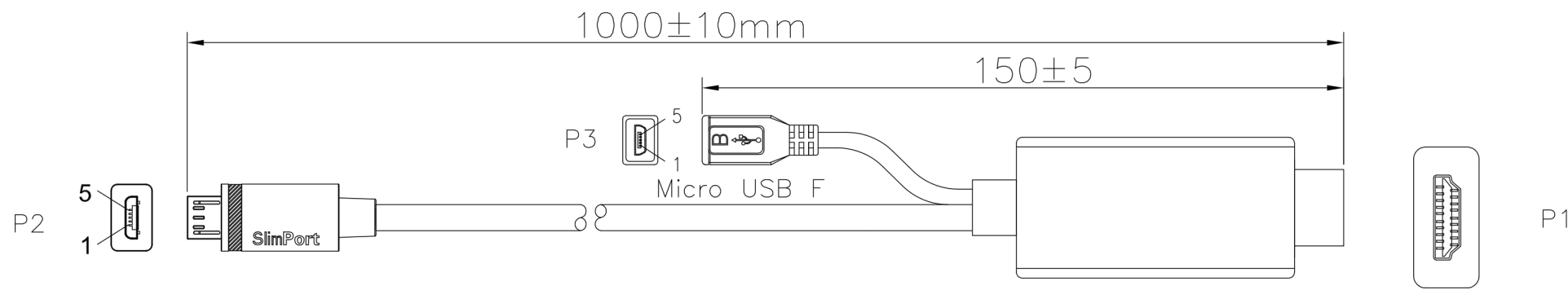


RoHS Compliant

REV.	DESCRIPTION	DATE
A0	INITIAL RELEASE	2014-07-06



10	Case	SL-BK0035	HDMI Black ABS Case	1 Pcs
		SL-BK0066	HDMI A/M Black ABS Front Cover	1 Pcs
9	PVC	PVC-0033	60P PVC Orange(Bright Orange C)	3.50g
8	PVC	PVC-0001	60P PVC Black	4.00g
7	PVC	PVC-0007	45P PVC Black	4.55g
6	PE	PE-0001	LDPE料(RoHs)-PE101	6.20g
5	Connector	CN-N0019	Micro USB B/F,Nickel Plated	1 Pcs
4	Connector	XY-C299-110-G	MYDP TO HDMI A/M+POWER(IC:ANX7730)PCB' A,Gold Plated	1 Pcs
3	Tinplate	CN-N0163	Micro USB B/M,Bottom Tinplate	1 Pcs
		CN-N0162	Micro USB B/M,Top Tinplate	1 Pcs
	Connector	CN-N0161	Micro USB B/M,Nickel Plated	1 Pcs
2	Cable	CB021-25-30113	NON (16/0.10Bx2C), JACKET PVC Black OD:2.50±0.15mm	1 Pcs
1	Cable	DP1-35-34132	(7/0.06Tx1P+D+AL+AL)x1C+(7/0.06Tx1C+AL)*1C+(7/0.127Tx1C+AL)*1C +SP(38±2/0.12T)+AL, JACKET PVC BLACK. OD=3.5±0.15mm	1 Pcs
NO.	Material name	Item number	Specifications Description	Quantity

图号 (DWG NO)	XY-A1389	单位 (UNIT)	MM		
版次 (REV)	A0	比例 (SCALE)	任意		
页次 (PAGE)	1/1				
设计 (DESIGN)	Dean	未注公差			
审核 (CHECKED)		TOLERANCE UNSPECIFIED XX ±0.25 XXX ±0.15 XXXX ±0.05 X' ±5° XX' ±2°		品名 (ITEM NO)	SLIM-1002-K
核准 (APPROVED)				料号 (PART NO)	