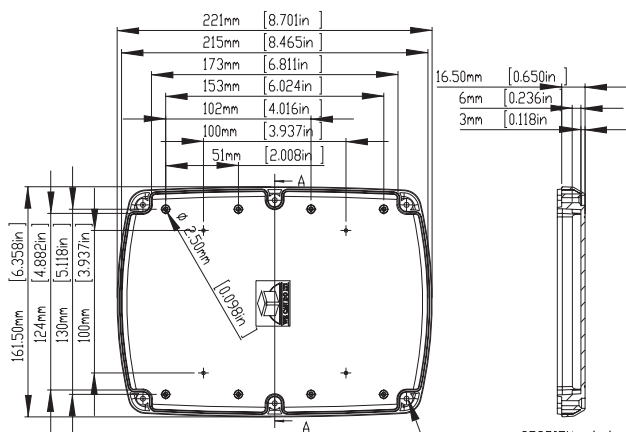
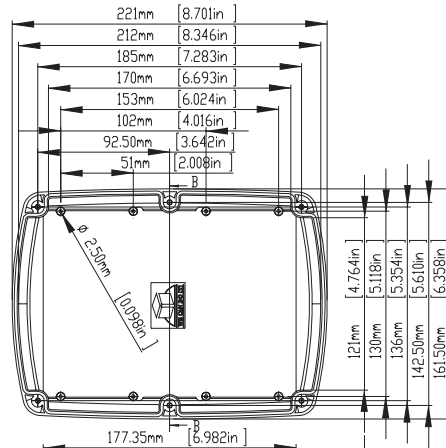


PL2970WH / PL2970BK

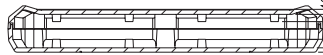
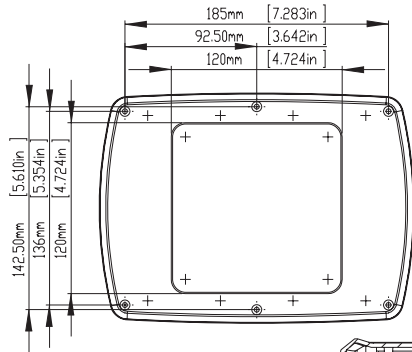


SECTION A-A
SCALE 2 : 5

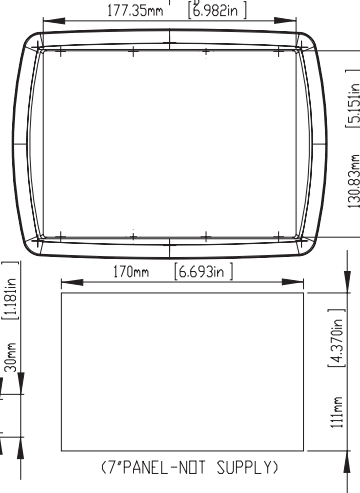
SIX(6) M3X16mm
SELF-TAPPING SCREWS



SECTION B-B
SCALE 2 : 5



ASSEMBLY



(7*PANEL-NOT SUPPLY)

