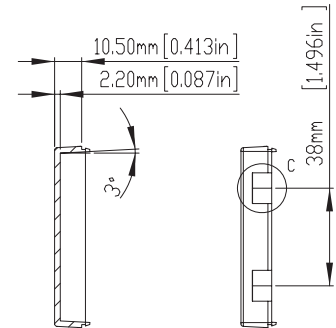
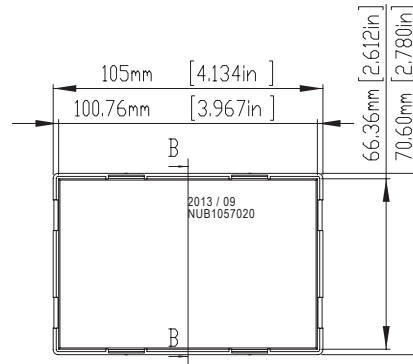
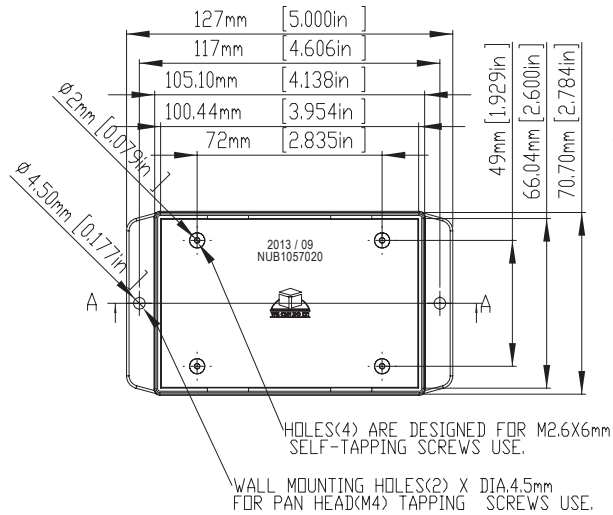
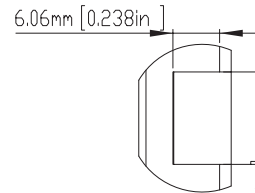


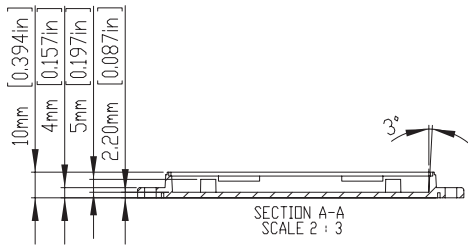
NUB1057020BK/NUB1057020WH/NUB1057020OR/NUB1057020RD



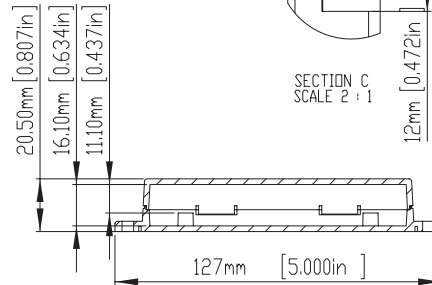
SECTION B-B
SCALE 2 : 3



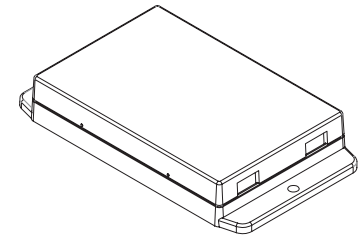
SECTION C
SCALE 2 : 1



SECTION A-A
SCALE 2 : 3



ASSEMBLY



According to ISO 2768-m		
Measuring	DIM=L	Tolerances
0.5<L<=3.0mm		±0.1mm
3.0<L<=6.0 mm		±0.1mm
6.0<L<=30.0 mm		±0.2mm
30.0<L<=120.0 mm		±0.3mm
120.0<L<=400.0 mm		±0.5mm
400.0<L<=1000.0 mm		±0.8mm