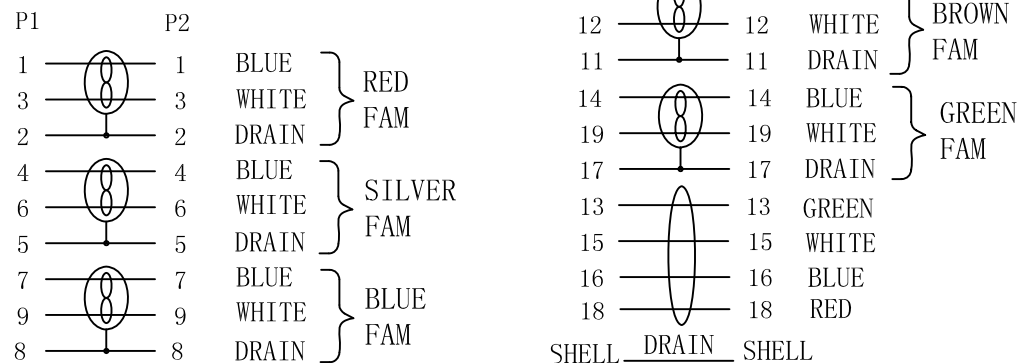


PIN OUT



NOTES:

1.ELECTRICAL PROPERTIES:

- 1.1 100% OPEN AND SHORT TEST
- 1.2 CONDUCTOR RESISTANCE: 5 OHMS
- 1.3 INSULATION RESISTANCE: 10 MEGOHMS
- 1.4 HI-POT: DC300V/0.01S
- 1.5 100% HDTV, BLUE RAY DVD TEST(1080P)
- 1.6 ALL CABLE PRODUCTION PROCESS ARE CONTROLLED BY ATC TEST DEVICE.

2. ALL MATERIAL BE RoHS COMPLIANT.

NO.	PARTS NAME	Q' TY	SPECIFICATION
⑥	TAG	1PCS	HDMI® HIGH SPEED WITH ETHERNET TAG
⑤	TAG	1PCS	DELTA TAG
④	HOOD MOLD	2PCS	WHITE PVC
③	INNER MOLD	2PCS	PE
②	HDMI 19M	2PCS	GOLD PLATED SHELL
①	CABLE	1PCS	(28AWG*1P+D+FAM)*5+28AWG*4C+AEB OD:3.0*13.0mm±0.2mm WHITE PVC JACKET HIGH SPEED HDMI® CABLE WITH ETHERNET

APPROVED	CHECKED	DRAWN	CUSTOMER:	
			ITEM NO.	HDMI-1050H-K
			DRAW NO.	
			UNIT	mm
			SCALE	NONE

DESCRIPTION:

HDMI 19PIN/M-HDMI 19PIN/M

