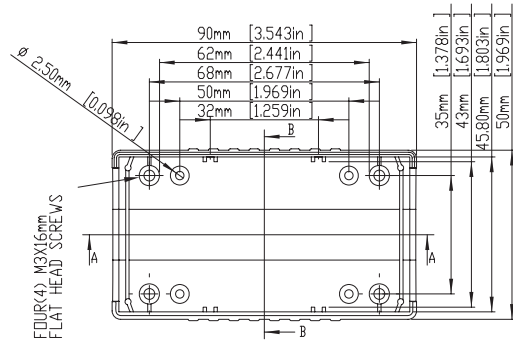
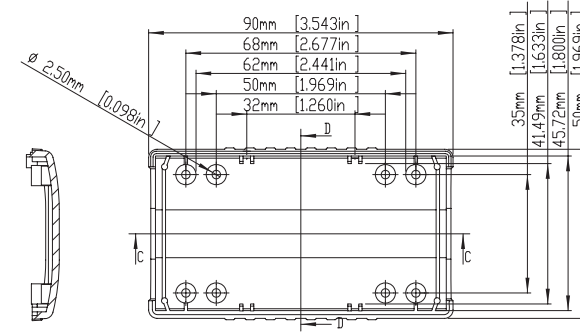
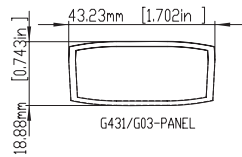
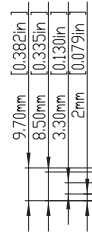
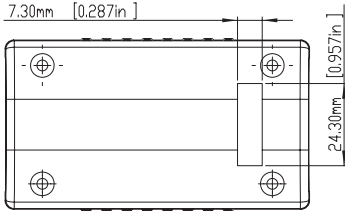


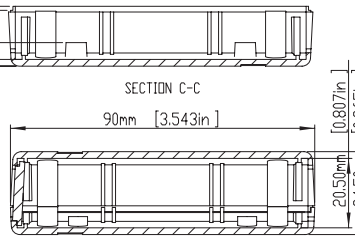
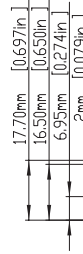
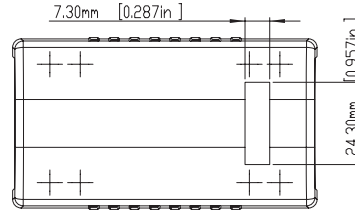
G431 / G403



FOUR(4) M3X16mm
FLAT HEAD SCREWS



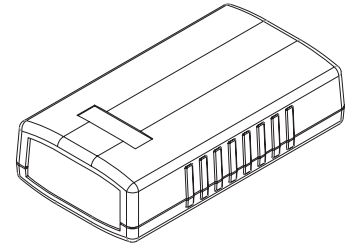
SECTION B-B



ASSEMBLY



SECTION D-D



According to ISO 2768-m		
Measuring DIM=L		Tolerances
0.5<L<=3.0mm		±0.1mm
3.0<L<=6.0 mm		±0.1mm
6.0<L<=30.0 mm		±0.2mm
30.0<L<=120.0 mm		±0.3mm
120.0<L<=400.0 mm		±0.5mm
400.0<L<=1000.0 mm		±0.8mm