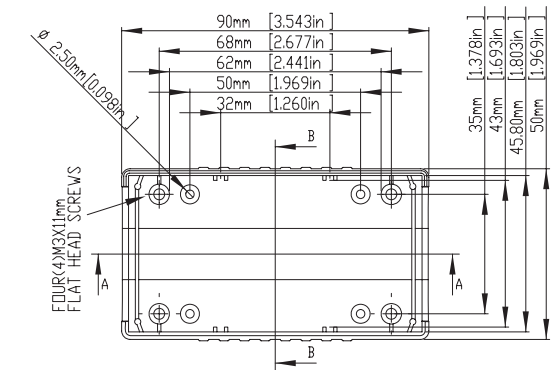
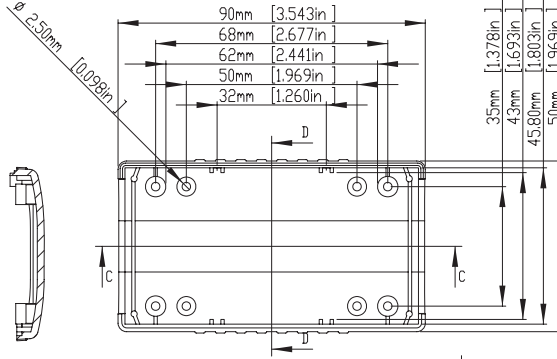


# G430 / G401

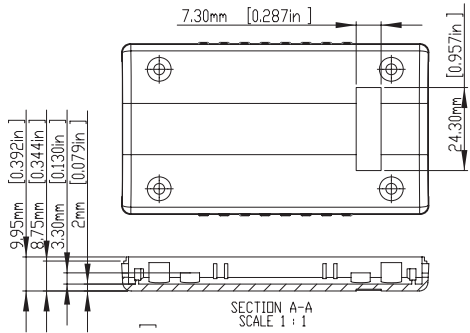


FOUR(4)M3x11mm  
FLAT HEAD SCREWS

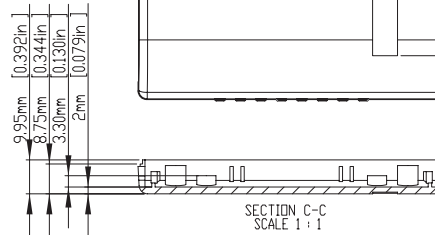


SECTION B-B  
SCALE 1 : 1

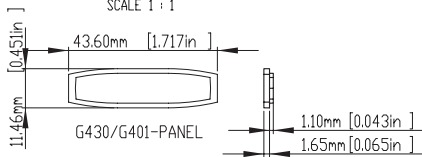
SECTION D-D  
SCALE 1 : 1



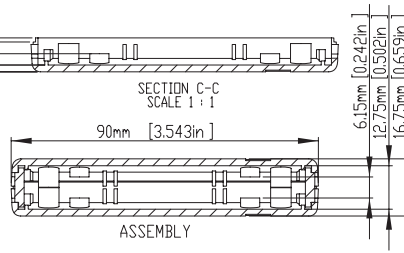
SECTION A-A  
SCALE 1 : 1



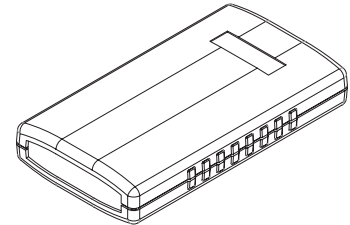
SECTION C-C  
SCALE 1 : 1



G430/G401-PANEL



ASSEMBLY



According to ISO 2768-m

Measuring DIM=L	Tolerances
0.5<L<=3.0mm	±0.1mm
3.0<L<=6.0 mm	±0.1mm
6.0<L<=30.0 mm	±0.2mm
30.0<L<=120.0 mm	±0.3mm
120.0<L<=400.0 mm	±0.5mm
400.0<L<=1000.0 mm	±0.8mm