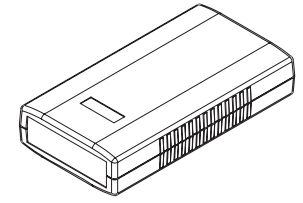
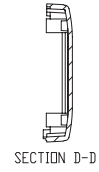
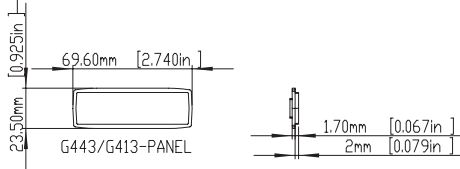
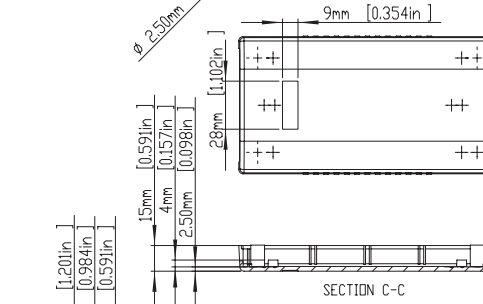
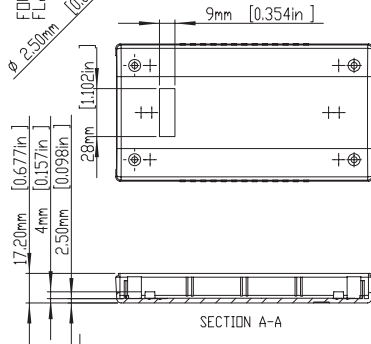
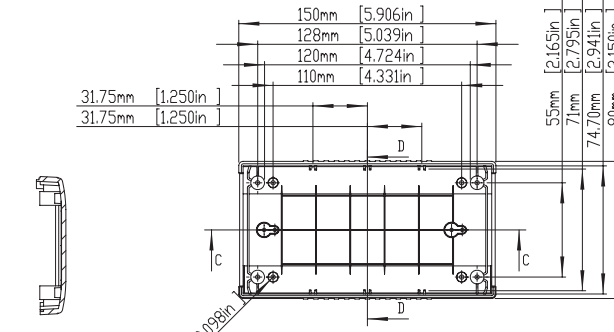
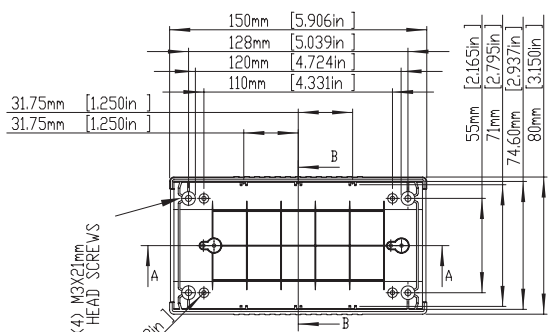


G443 / G413



According to ISO 2768-m

| Measuring DIM=L | Tolerances |
|---------------------|------------|
| 0.5K <= 3.0mm | ±0.1mm |
| 3.0K <= 6.0 mm | ±0.1mm |
| 6.0K <= 30.0 mm | ±0.2mm |
| 30.0K <= 120.0 mm | ±0.3mm |
| 120.0K <= 400.0 mm | ±0.5mm |
| 400.0K <= 1000.0 mm | ±0.8mm |