

# STANDiT™

Hole-less wall mount



Wall mounting your TV  
has never been so simple!

**ERARD®**

An innovative concept to wall mount your TV without drilling.



# STANDiT™ 400 label **observeurdudesign13**



Ref. **044640** EAN 318528 044640 7

**L** 30"-52"  
76-132 cm



30 KG



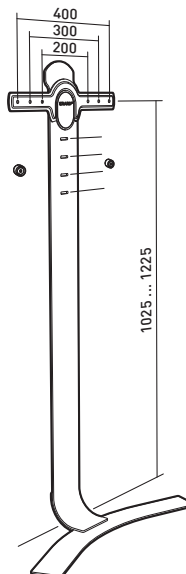
VESA  
200-400



Can be painted



MAX  
THICKNESS  
50 mm



- Hole-less wall mount for 30-52" screens, maximum thickness of the screen 50 mm
- Repositionable stabilizing pad made of elastomer
- Height of the screen is adjustable on 250 mm (6 positions)
- Antifall device for the screen
- 5 mm steel structure, black and white epoxy painting
- Incorporated cable management on the back side
- Delivered in 3 parts with needed tool, mounting takes only 5 minutes

## STANDiT™ Bench

Ref. **044700** EAN 318528 044700 8



5 KG

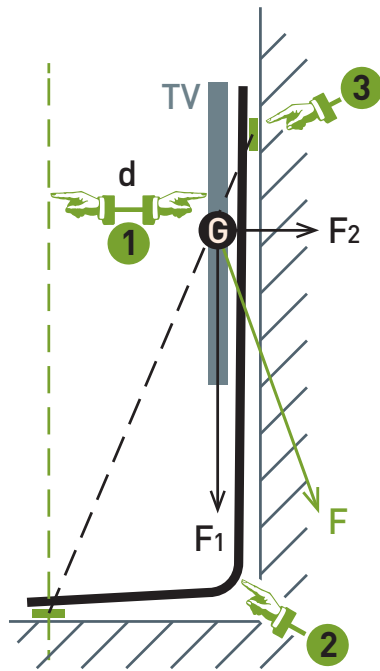


- STANDiT™ bench for peripherals, to be positioned in front of STANDiT™
- 3 mm steel sides, black epoxy painting
- Clear 6 mm tempered glass shelf
- Useful shelf space : 600 x 300 mm
- Height : 220 mm



Discover the STANDiT™ video on:  
[www.erard-standit.com](http://www.erard-standit.com)

® Breveté - Patented



1

### 3 POINT GEOMETRY SUPPORT

STABILITY BASED ON LAWS OF PHYSICS  
FEET ARE FAR AHEAD OF THE CENTRE OF GRAVITY



2

### THICK STEEL STRUCTURE

THICK STEEL STRUCTURE GUARANTEES RIGIDITY  
AND STABILITY OF THE UNIT



3

### STABILIZING PAD

STABILIZING PAD ENSURES PERFECT ADHERENCE TO THE WALL  
AND WITHSTANDS EVERYDAY KNOCKS