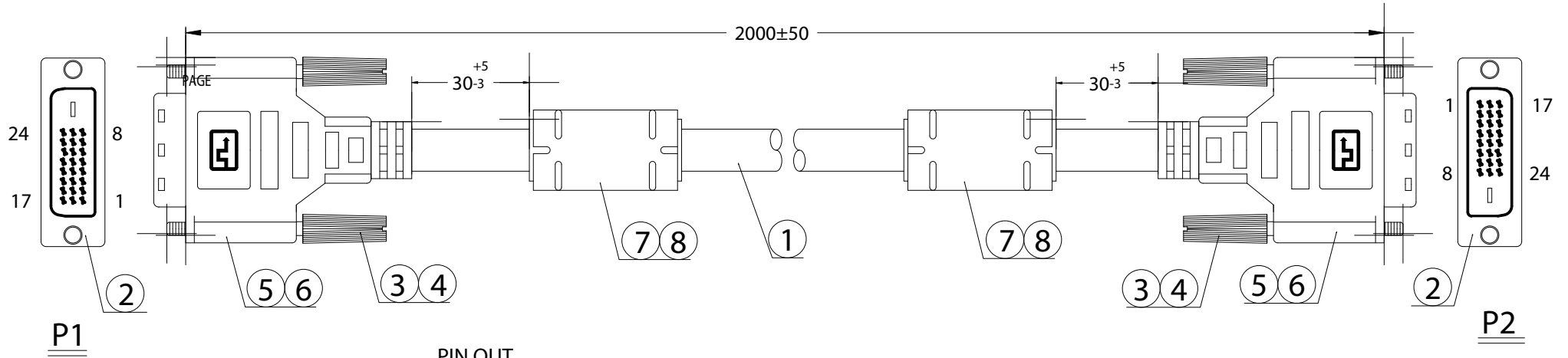
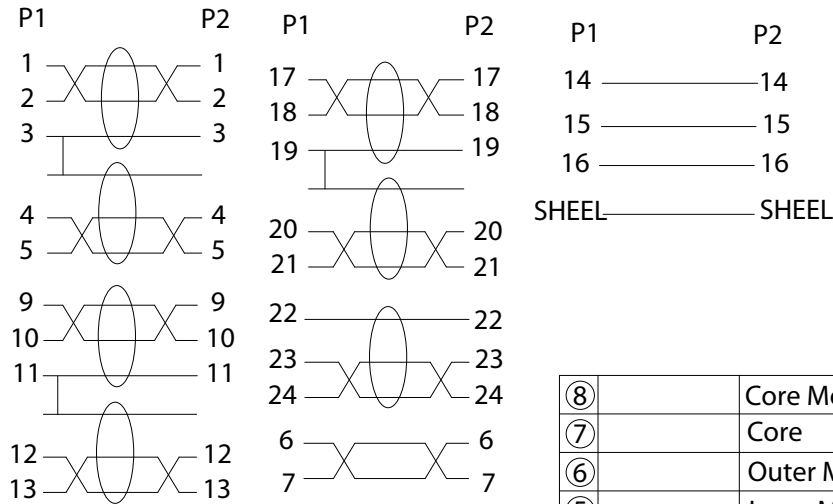


BY	CHK	REVISION RECORD MODIFICATIONS	DATE	REV.
Jimmy	Dayi	INITIAL RELEASE	2006.05.15	A.0



PIN OUT



Notes:

1.Electrical Test:

(1.1).100% Open Short and Miss Wire Test.

(1.2).Insulation Resistance:DC300V, 10M ohm MIN.

(1.3).Conduct Resistance:5ohm MAX.

2.ROHS Standard

⑧	Core Mold	PVC Color:Black	2PCS
⑦	Core	ID:9.5*OD:17.5*L:28.5mm	2PCS
⑥	Outer Mold	PVC Color:White	2PCS
⑤	Inner Mold	PE	2PCS
④	Screw Mold	PVC Color:White	4PCS
③	Screw	NO.4-40UNC-2A, Gold Plated	4PCS
②	DVI(24+1)P/M	Insulator Color:White,Shell:Gold Plated	2PCS
①	Cable	UL20276 (28AWGx1P+D+AL+Mylar)x7+28AWGx3C+28AWGx1P +MYLAR+AL/FOIL+BD PVC Jacket, Color:Black OD:8.6mm	1PC
NO.PARTS NO.	Parts Name	Specification	Q'TY

APPROVED	CHECKED	DRAWN	CUSTOMER:	SWEDLTACO
			ITEM NO.	DVI-600A-K
			DRAW NO.	CB043-C161
			UNIT	mm
			SCALE	NONE

DESCRIPTION:
DVI(24+1)P/M-DVI(24+1)P/M

