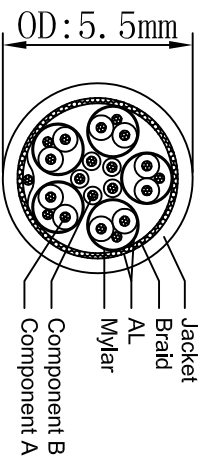
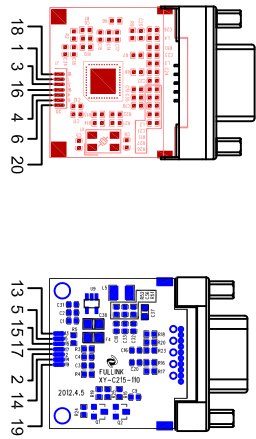
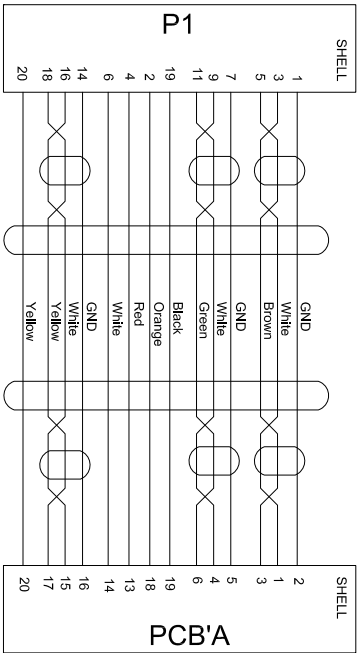
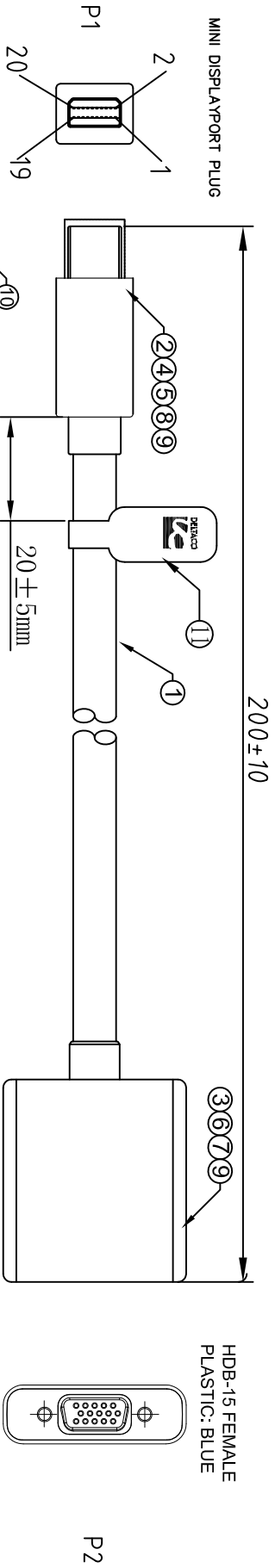


RoHS Compliant

REV	DESCRIPTION OF CHANGE	DATE
A0	INITIAL RELEASE	2012-10-10



- NOTES:
- ELECTRICAL PROPERTIES:
    - 1.1 100% open and short test.
    - 1.2 Conductor resistance: 5 OHMS
    - 1.3 Insulation resistance: 10 MEGOHMS
    - 1.4 Hi pot: DC300V/0.01S
    - 1.5 Audio & Video test, Output resolution: 1920\*1080 P
  - All material be ROHS compliant.

AN PCB A

11	tag	AM-BK0136	Black backround, White character (DP-VGA3)	1 Pcs
10	Dust cap	OR-0007	MINI DP Dust cap	1 Pcs
9	PVC	PVC-0001	60P PVC Black	9,70g
8	PE	PE-0001	LDPE (Rolls)	1.60g
7	Lid	SL-BK0021	VGA Black Shell	1 Pcs
6	Shell	SL-BK0133	VGA,DVI, HDMI Black Shell (smooth)	1 Pcs
5	Lid	SL-BK0125	Mini DP Black Shell	1 Pcs
4	Shell	SL-BK0094	Mini DP Black Shell (smooth)	1 Pcs
3	Connector	BM-F-036-GF-AN	VGA(F) PCB A(AN), gold-plated	1 Pcs
2	Connector	CN-G0001	Mini DP (M), gold-plated	1 Pcs
1	Cable	DP1-55-3207	UL20276(32AWG)*P+D=AL(MV)*5C+32AWG*5C+MV/AL+BRRAID, JACKET PVC Black, OD=5.5±0.20mm L=170+5/-0mm	1 Pcs

图号 (DWG NO)	XY-A0596	单位 (UNIT):	MM		TITLE	Mini DP to VGA Cable
版次 (REV):	A0	比例 (SCALE):	1:1			
页次 (PAGE):	1/1	设计 (DESIGN)	Dean		PART NO	DP-VGA3
审核 (CHECKED)		批准 (APPROVED)				

图号 (DWG NO)	XY-A0596	单位 (UNIT):	MM
版次 (REV):	A0	比例 (SCALE):	1:1
页次 (PAGE):	1/1	设计 (DESIGN)	Dean
审核 (CHECKED)		批准 (APPROVED)	



TITLE: Mini DP to VGA Cable  
PART NO: DP-VGA3

1 2 3 4 5 6 7