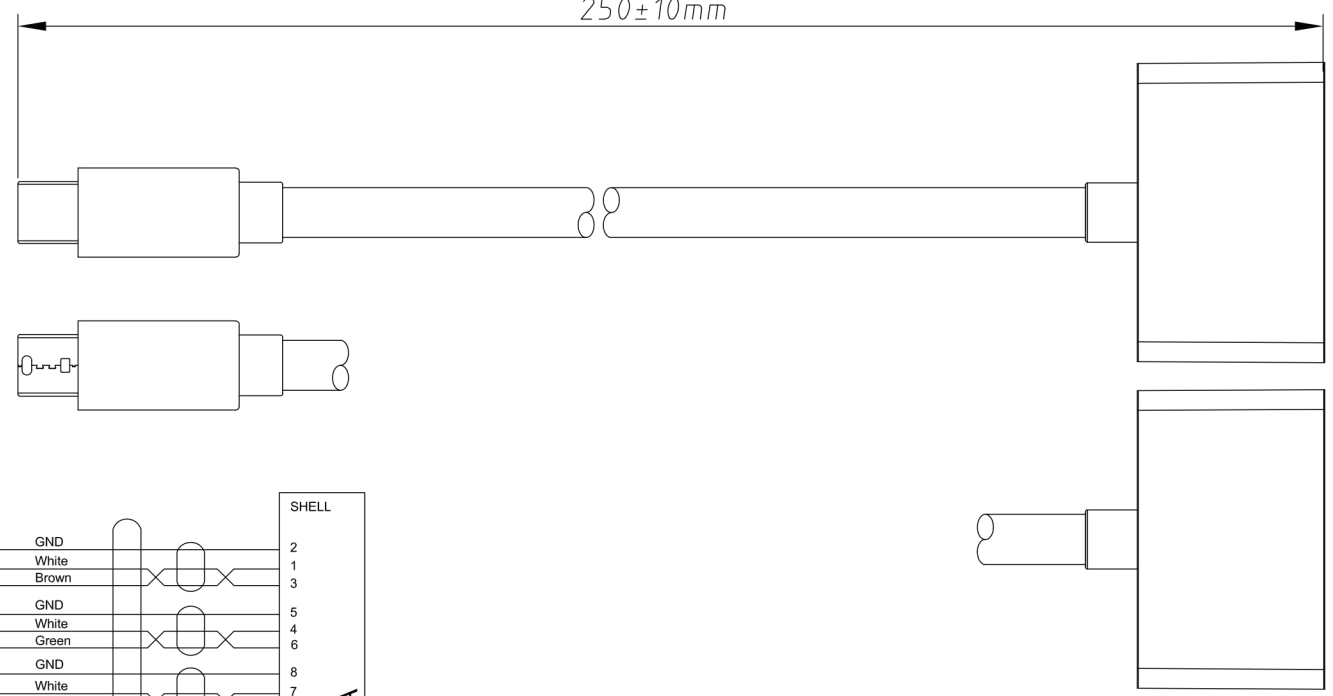
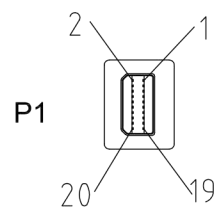


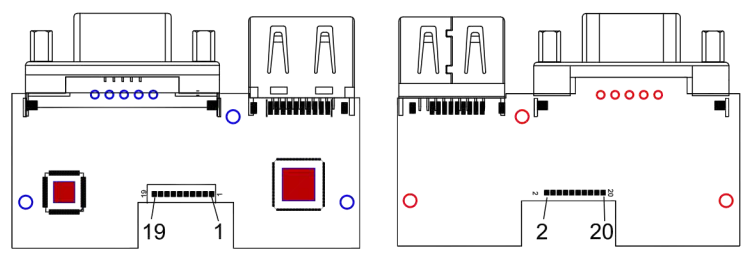
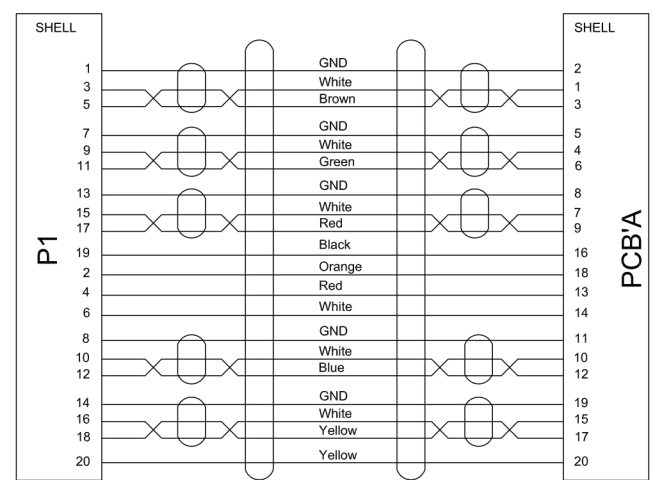
RoHS Compliant

REV	DESCRIPTION OF CHANGE	DATE
A0	INITIAL RELEASE	2014-04-21

250±10mm



P2



VGA IC: ANX9833  
HDMI IC: PS8312

5	PVC	PVC-0001	60P PVC Black	2.00g
4	PE	PE-0001	LDPE (RoHs)	1.55g
3	Inner	OR-0104	VGA +HDMI Black ABS Bottom Inner	1 Pcs
		OR-0103	VGA +HDMI Black ABS Top Inner	1 Pcs
	Case	SL-WH0018	VGA +HDMI Black ABS Front Cover	1 Pcs
		SL-WH0014	VGA +HDMI Black ABS Case	1 Pcs
Connector	XY-C288-111-G	DP TO VGA F + HDMI A/F PCB' A, Gold plated	1 Pcs	
2	Case	SL-BK0125	MINI DP Black ABS Front Cover	1 Pcs
		SL-BK0094	Mini DP Black ABS Case	1 Pcs
	Connector	CN-G0001	Mini DP M, Gold plated	1 Pcs
1	Cable	DP0-55-3201	UL20276(32AWG*1P+D+AL/MY)*5C+32AWG*5C+MY/AL+BRAID(AMA), JACKET PVC BLACK. OD=5.5±0.20mm	1 Pcs
NO.	Material name	Item number	Specifications Description	Quantity

图号 (DWG NO)	XY-A1366	单位(UNIT)	MM	
版次 (REV)	A0	比例(SCALE)	任意	
页次 (PAGE)	1/1			
设计 (DESIGN)	Dean	<small>DIMENSIONS ARE IN MILLIMETERS TOLERANCES: LINEAR: X ± 1.0           XX ± 0.5           XXX ± 0.15           XXXX ± 0.05 ANGULAR: ± 0.5°</small>		
审核 (CHECKED)		品名 (ITEM NO)	DP-HDMI/VGA	
核准 (APPROVED)		料号 (PART NO)		