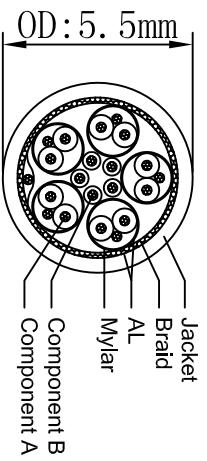
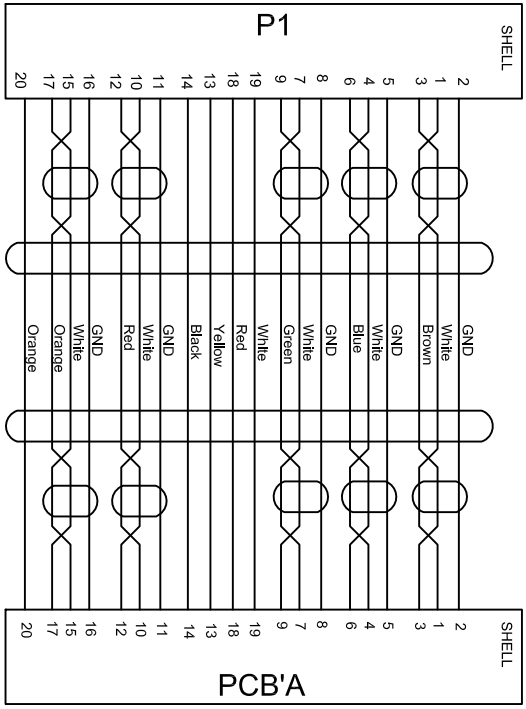
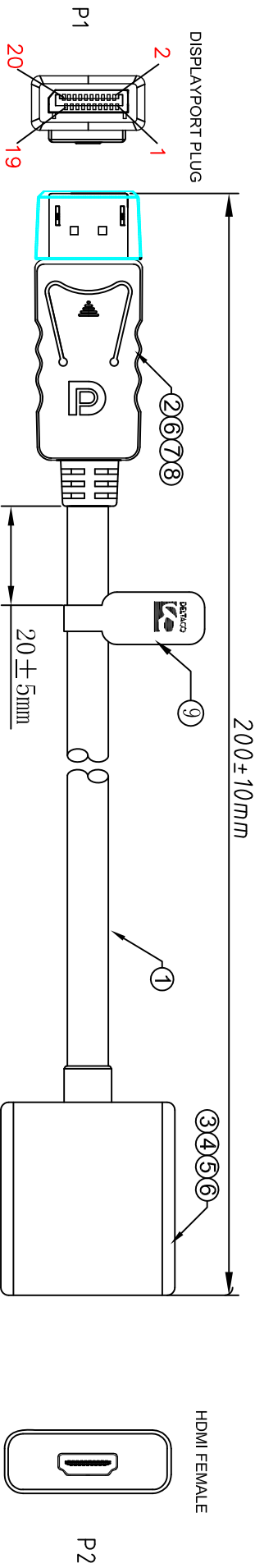


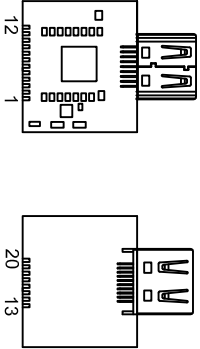
RoHS Compliant

REV A0  
DESCRIPTION OF CHANGE  
INITIAL RELEASE

DATE  
2012-11-29



NXP PCB/A



- NOTES:
- ELECTRICAL PROPERTIES:
    - 100% open and short test.
    - Conductor resistance: 5 OHMS
    - Insulation resistance: 10 MEGOHMS
    - Hi pot: DC300V/0.01S
    - Audio & Video test, Output resolution: 1920\*1080 P
  - All material be ROHS compliant.

NO.	Material name	Item number	Specifications Description	Quantity
9	tag	AM-RQ0135	Black background, White character (DP-HDMI13)	1 Pcs
8	PE	PE-0001	LDPE (RoHS)-PE101	1.50g
7	Dust cap	OR-0008	DP Dust cap	1 Pcs
6	PVC	PVC-0001	60P Black PVC	10.45g
5	Shell	SL-BK0133	VGA, DVI, HDMI Black Shell (Smooth)	1 Pcs
4	Lid	SL-BK0023	HDMI Black Top shell	1 Pcs
3	Connector	BM-F-017-GP-NX	HDMI (F) PCB A(NXP), gold-plated	1 Pcs
2	Bottom ABS Shell	SL-BK0055	DP (M) Black Shell, Bottom ABS Shell	1 Pcs
	Top ABS Shell	SL-BK0054	DP (M) Black Shell, Top ABS Shell	1 Pcs
1	Cable	DP1-55-3207	UL20276(32AWG*1P+D+AL/MY)*5C+32AWG*5C+MY/AL+BR/AL/D, JACKET PVC BLACK, OD=5.5±0.20mm L=145.5/-0MM	1 Pcs

图号 (DWG NO)	XY-10590	单位 (UNIT):	MM
版次 (REV):	A0	比例 (SCALE):	1:1
页次 (PAGE):	1/1	设计 (DESIGN)	Dean
审核 (CHECKED)		审核 (APPROVED)	
料号 (PART NO)	DP to HDMI Cable		
	DP-HDMI13		

