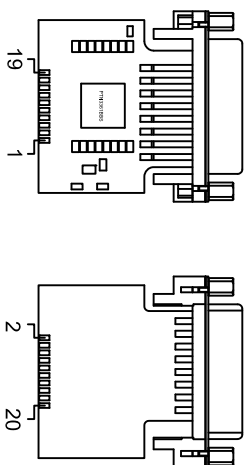
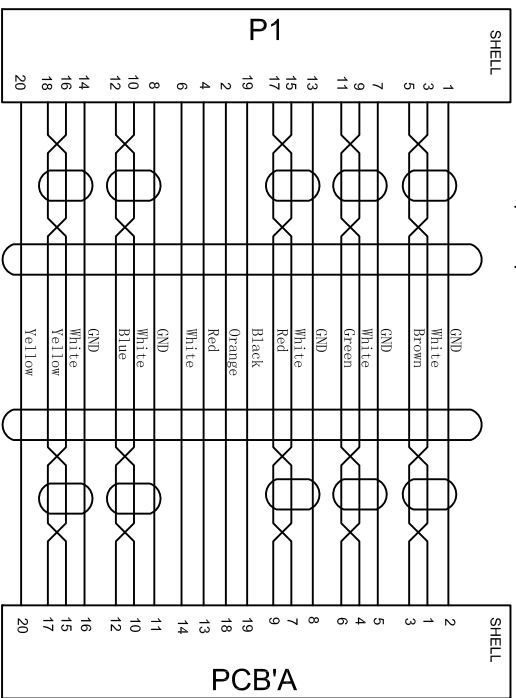
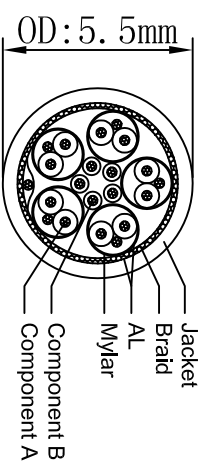
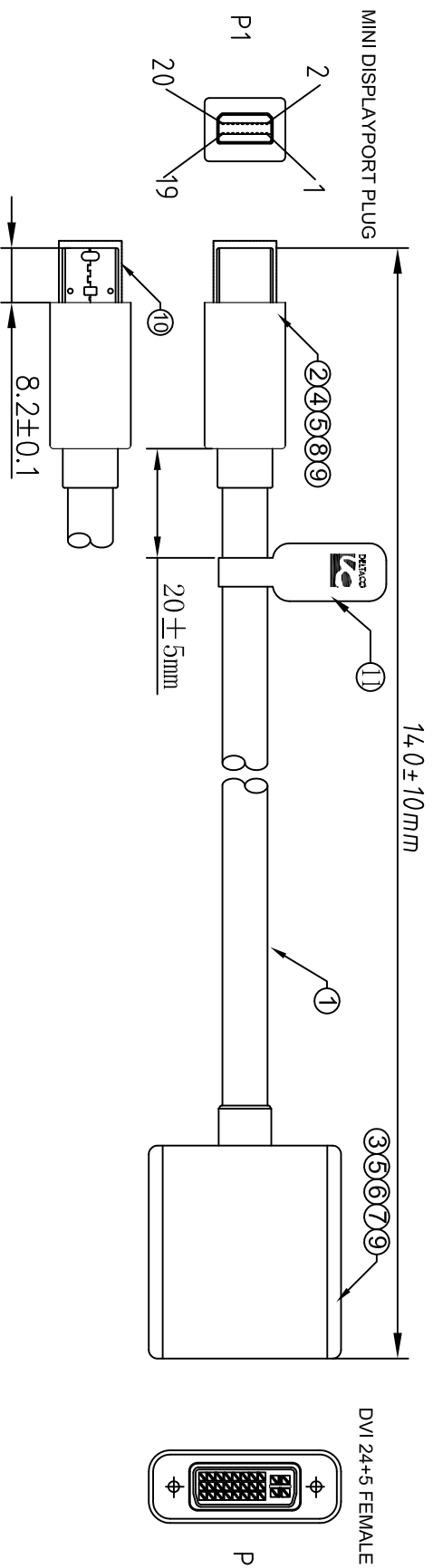


RoHS Compliant

REV	DESCRIPTION OF CHANGE	DATE
A0	INITIAL RELEASE	2012-10-10



- NOTES:
- ELECTRICAL PROPERTIES:
    - 100% open and short test.
    - Conductor resistance: 5 OHMS
    - Insulation resistance: 10 MEGOHMS
    - Hi pot: DC300V/0.01S
    - Audio & Video test, Output resolution: 1920\*1080 P
  - All material be ROHS compliant.

11	tag	AM-BQ0172	White background, Black character (DP-DVI5)	1 Pcs
10	Dust cap	OR-0007	MINI DP Dust cap	1 Pcs
9	PVC	PVC-0002	60P White PVC	9.70g
8	PE	PE-0001	LDPE (Rolls)	1.60g
7	Shell	SL-WH0013	HDMI/YGA/DVI White Shell (smooth)	1 Pcs
6	Lid	SL-WH0019	DVI White Shell	1 Pcs
5	Lid	SL-WH0124	Mini DP White Shell	1 Pcs
4	Shell	SL-WH0070	Mini DP White Shell (smooth)	1 Pcs
3	Connector	BM-F-022-GF-NX-A	DVI (F) 24+5 PCB A (AN), gold plated	1 Pcs
2	Connector	CN-G0001	Mini DP (M), gold plated	1 Pcs
1	Cable	DP0-55-3201	UI20276 (32AWG)*IP+D+AL/MY *5C+32AWG*5C+MY/AL+BRRA1D, JACKET PVC WHITE. OD=5.5±0.20mm L=110±5/-0mm	1 Pcs

图号 (DWG NO)	XVA0588	单位 (UNIT):	MM
版次 (REV):	A0	比例 (SCALE):	1:1
页次 (PAGE):	1/1	制图 (DESIGN)	Dean
审核 (CHECKED)		检查 (APPROVED)	
品名 (ITEM NO)		料号 (PART NO)	
Mini DP to DVI (24+5) Cable		DP-DVI5	



DETACO  
MINI DP TO DVI (24+5) CABLE  
LUMEN: X 4 0.03  
200X 4 0.05  
200X 4 0.05  
± 0.5°