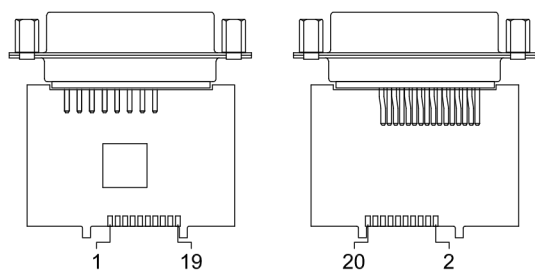
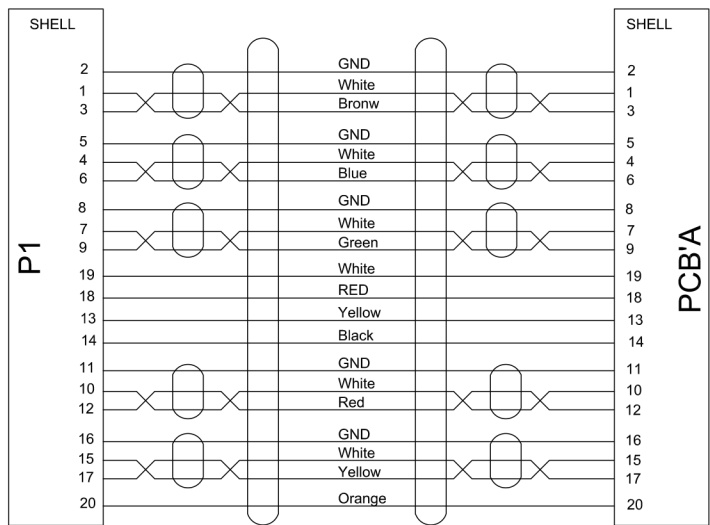
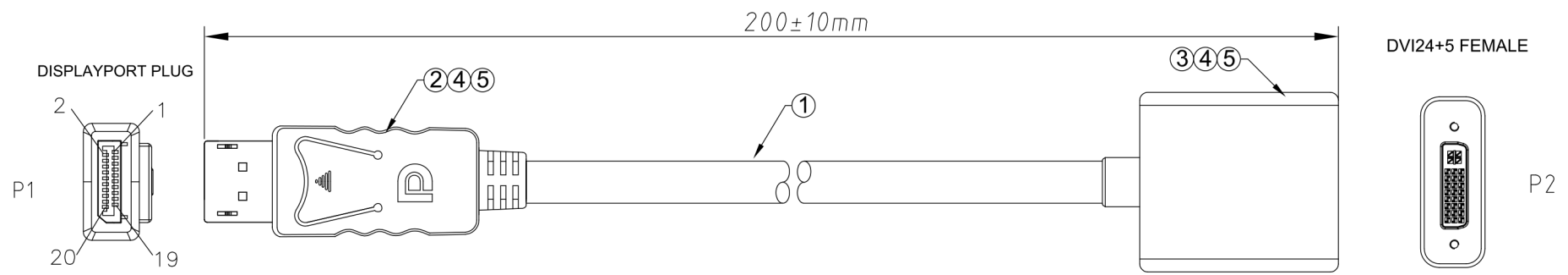


RoHS Compliant

| REV | DESCRIPTION OF CHANGE | DATE |
|-----|-----------------------|------------|
| A0 | INITIAL RELEASE | 2014-09-23 |



PCB'A

| 5 | P E | PE-0001 | LDPE (RoHs) -PE101 | 1.50g |
|-----|------------------|----------------|---|----------|
| 4 | P V C | PVC-0001 | 60P Black PVC | 10.45g |
| 3 | Case | SL-BK0133 | VGA/DVI/HDMI Black ABS Case | 1 Pcs |
| | Front Cover | SL-BK0022 | DVI Black ABS Front Cover | 1 Pcs |
| | Connector | XY-C267-112-G2 | DVI (24+5)F (IC:PS171) PCB'A, Gold plated | 1 Pcs |
| 2 | BottomT ABS Case | SL-BK0055 | DP (M)Black Bottom ABS Case | 1 Pcs |
| | Top ABS Case | SL-BK0054 | DP (M)Black Top ABS Case | 1 Pcs |
| | Connector | CN-G0010 | DP (M), Gold plated | 1 Pcs |
| 1 | Cable | DP1-55-3207 | UL20276 (32AWG*1P+D+AL/MY)*5C+32AWG*5C+AL+BRAID (AMA) JACKET PVC Black. OD=5.5±0.20mm | 1 Pcs |
| NO. | Material name | Item number | Specifications Description | Quantity |

TEST WITH 3840*2160P RESOLUTION

| | | | | | |
|---------------|----------|--|---------|-------|------------|
| 图号 (DWG NO) | XY-A1634 | 单位(UNIT) | MM | | |
| 版次 (REV) | A0 | 比例(SCALE) | 任意 | | |
| 页次 (PAGE) | 1/1 | | | TITLE | DP-DVI16-K |
| 设计 (DESIGN) | Dean | <small>DIMENSIONS ARE IN MILLIMETERS TOLERANCES:</small> LINEAR: X ± 1.0 XX ± 0.5 XXX ± 0.15 XXX ± 0.05 ANGULAR: ± 0.5° | PART NO | | |
| 审核 (CHECKED) | | | | | |
| 核准 (APPROVED) | | | | | |