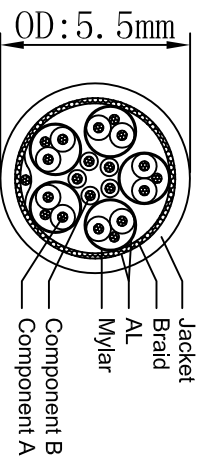
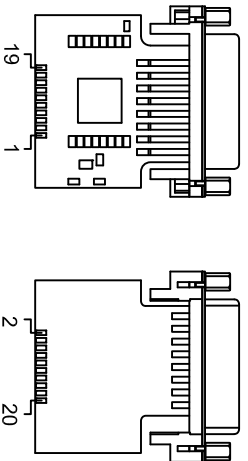
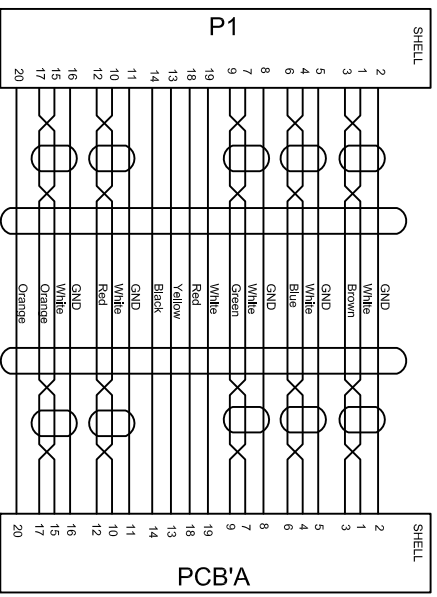
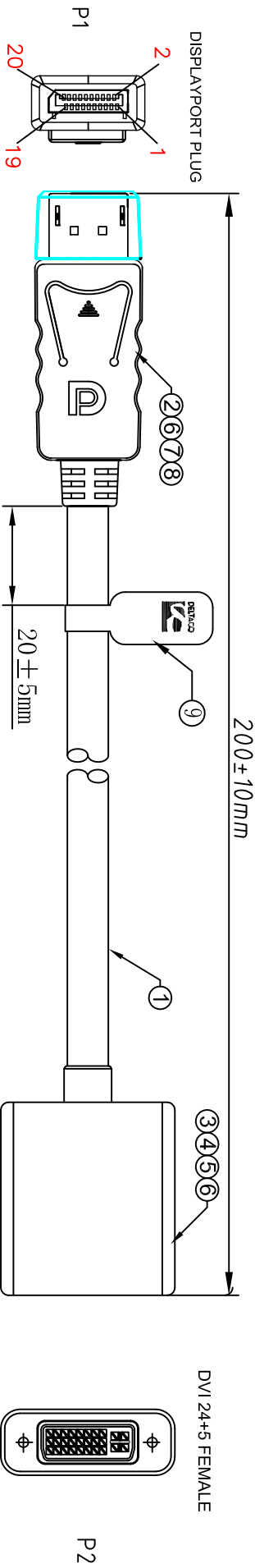


RoHS Compliant

REV	DESCRIPTION OF CHANGE	DATE
A0	INITIAL RELEASE	2012-10-10



- NOTES:
- ELECTRICAL PROPERTIES:
 - 1.1 100% open and short test.
 - 1.2 Conductor resistance: 5 OHMS
 - 1.3 Insulation resistance: 10 MEGOHMS
 - 1.4 Hi pot: DC300V/0.01S
 - 1.5 Audio & Video test, Output resolution: 1920*1080 P
 - All material be ROHS compliant.

NXP PCB/A

9	tag	AM-R00265	White background, White character (DP-DVI15)	1 Pcs
8	PE	PE-0001	LDPE (RoHS)-PE101	1.50g
7	Dust cap	OR-0008	DP Dust cap	1 Pcs
6	PVC	PVC-0002	60P White PVC	10.45g
5	Shell	SL-BK0013	VGA, DVI, HDMI White Shell (smooth)	1 Pcs
4	Lid	SL-WH0019	DVI White Top shell	1 Pcs
3	Connector	BM-F-022-GT-NX-4	DVI (P) 24+5 PCB A (NXP), gold-plated	1 Pcs
2	Bottom ABS Shell	SL-BK0057	DP (M) White Shell, Bottom ABS Shell	1 Pcs
	Top ABS Shell	SL-WH0056	DP (M) White Shell, Top ABS Shell	1 Pcs
1	Cable	DP0-55-3201	UL20276 (32AWG*1P+D+AL/MY)*5C+32AWG*5C+MY/AL+BRATID, JACKET PVC WHITE. OD=5.5±0.20mm L=145±5/-0MM	1 Pcs

图号 (DWG NO)	XY-A0593	单位 (UNIT):	MM
版次 (REV):	A0	比例 (SCALE):	1:1
页次 (PAGE):	1/1	设计 (DESIGN)	Dean
材料 (DESIGN)		检查 (CHECKED)	
材料 (DESIGN)		批准 (APPROVED)	
品名 (ITEM NO)	DP to DVI (24+5) Cable		
料号 (PART NO)	DP-DVI15		



DELTA
 10
 X1 ± 0.10
 X2 ± 0.15
 X3 ± 0.20
 X4 ± 0.25
 X5 ± 0.30
 X6 ± 0.35