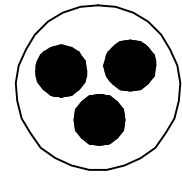
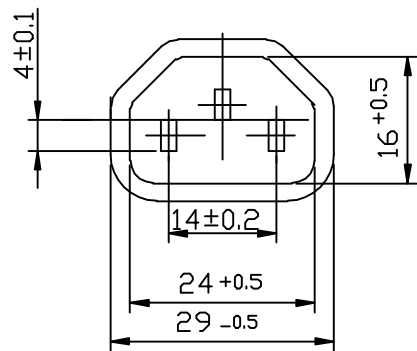
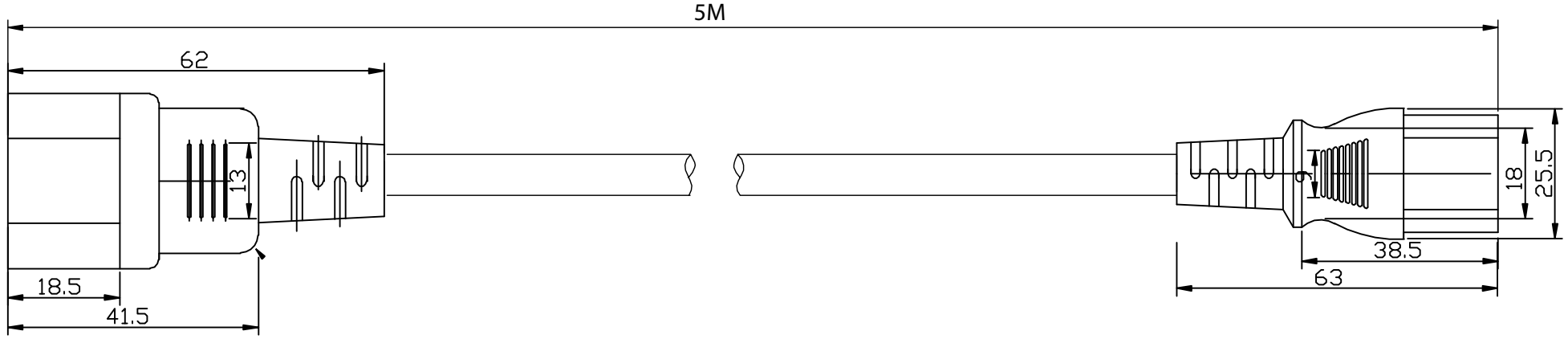
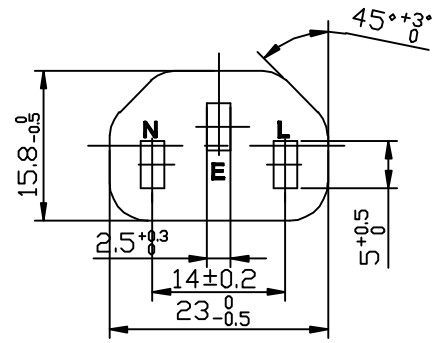


BY	CHK	REVISION RECORD MODIFICATIONS	DATE	REV.
		INITIAL RELEASE	2009.03.02	A.0



H05VV-F 3X1.0mm²



1	IEC C14 — IEC C13
2	H05VV-F 3X1.0mm ²

APPROVED	CHECKED	DRAWN	ITEM NO.	DEL-113B
			DRAW NO.	
			UNIT	mm
			SCALE	NONE

DESCRIPTION :
IEC C14 — IEC C13
H05VV-F 3*1.0mm²
5m

