

2MP IR Vari-focal Bullet IP Camera



- Full HD 1080p
- ROI
- Corridor Mode
- Micro SD card slot
- 2 alarm in, 1 alarm out
- Audio in & out



1080p resolution, H.264 compression, IR LEDs, PoE and IP66 weatherproof, fitting the bill for most applications where a clear image day and night is all that's needed. ROI (Region of Interest) spends your precious bandwidth and storage on the areas that really matter to you, and Corridor mode allows for vertical "portrait"-shaped video streams, that help you to make the most of your field of view in staircases, aisles, tunnels and many more.



Features

- Full HD 1080p
- 1/2.8" CMOS sensor
- H.264 and Motion JPEG compression
- 30 fps at 1920 x 1080
- 2.8-12mm Vari-focal lens
- True day & night with automatic removable IR-cut filter
- Smart feature: Corridor Mode, ROI
- IR 40m range
- RTC with built-in battery
- Motion detection
- IP66 weatherproof
- Screwless 3-axis angle adjustment for easy installation on wall or ceiling
- SSL v3 advanced HTTPS encryption
- Full support for Firefox, Safari and Mac OS
- Supports Samba network storage
- Multi-lingual user interface
- ONVIF 2.4 and Profile S compliant
- Free 64-channel NVR software

ROI



Corridor Mode



Normal

Corridor Mode

Applications



1. Education
2. Residential
3. Retail

IP Surveillance Solutions

• Free 64ch NVR Software



The most professional NVR software you can get for free!

- Support up to 64 channels
- Up to 128 channels remote live view
- Remote playback 16 channels
- Multi-site / multi-server
- Transcoding (record high quality, transcode to different resolution/ frame rate for remote client to save bandwidth)
- iOS/ Android mobile client (multi-channel live view | playback | PTZ & I/O control)
- E-maps (up to 4 layers | unlimited number of maps | video preview)
- Dual monitor
- ePTZ
- Multi-lingual user interface

• ONVIF

All IP cameras are ONVIF 2.x & Profile S compliant, and continuously upgraded to comply with the latest versions

• NVR Recorders



The most cost-efficient way to professionally view, record and manage up to 32 Full HD cameras

- Up to 32 channels
- Up to 4HDDs or 16TB of storage
- Up to 160Mbps recording throughput
- Free CMS up to 128 channels remote live view
- Free P2P service, no more router settings
- One click setup
- HDMI, VGA dual video output
- RAID 0,1
- Supports 3rd party cameras
- Supports POS (Point-of-sale)
- Small and lightweight

Technical Specifications

Camera	
Model	2MP IR Bullet Camera
Image sensor	1/2.8" CMOS sensor
Lens	2.8 -12mm vari-focal lens
Angle of view	98° horizontal
Min illumination	0.05 lux @ F1.6 (color) 0.005 lux (B/W) 0 lux (IR LED on)
IR working distance	40m effective range
Day/Night function	Mechanical IR cut filter Light sensor

Video	
Video compression	Motion JPEG H.264 baseline/ main profile/high profile
Resolutions	Motion JPEG/H.264: 5 resolutions from 1920 x 1080 to 320 x 240 via API 3 resolutions from 640 x 480 to 320 x 240 via API
Frame rate	Motion JPEG/H.264: up to 30 fps at 1920 x 1080
Video streaming	Simultaneous Motion JPEG, H.264 Controllable frame rate and bandwidth Support unicast (Real Time Streaming Protocol)
Image settings	Rotation: mirror, flip, mirror+ flip WDR enhanced Brightness, contrast, saturation, sharpness Overlay capabilities: Time stamp, Title, Title & Time stamp Privacy mask

Network	
Security	Multiple user access levels with password protection, HTTPS encryption
Supported protocols	Bonjour, TCP/ IP, DHCP, DNS, DynDNS, PPPoE, ARP, ICMP, FTP, SMTP, NTP, UPnP, RTSP, RTP, RTCP, HTTP, HTTPS, SSL, TCP, UDP
Users	5 simultaneous users

Alarm and Event Support	
Alarm and event	Input: network link down, motion detection, tampering detection, periodical, alarm input Output: alarm output, network storage, FTP, SMTP, HTTP event, HTTP server Pre and post event image

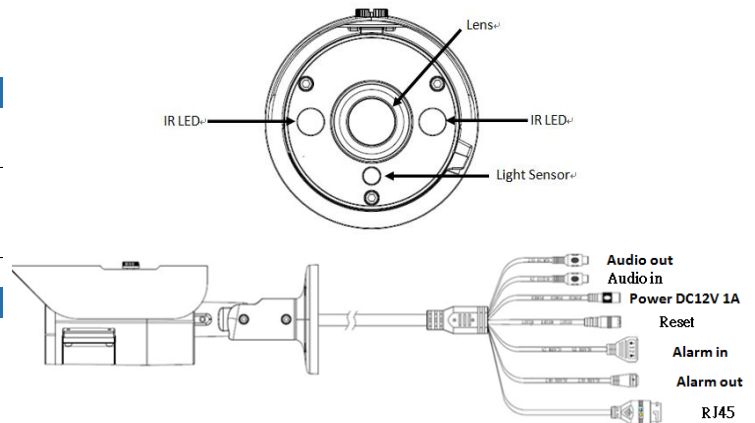
System	
Connectors	RJ-45 Ethernet 10/ 100 Base-T(with PoE) Reset push button DC 12V power supply Audio in & out Alarm in & out Micro-SD card slot
Software integration	ONVIF 2.4 & Profile S

General	
Casing	Metal housing
Housing	IP66 rated weatherproof housing
Power	12V DC, 1A PoE(Power over Ethernet) built-in IEEE 802.3af

Operating conditions	Starting temperature: -10 ~ 50 °C (14 ~ 122 °F) Working temperature: -30~ 50 °C (-22 ~ 122 °F)
Installation, management and maintenance	Camera management tool available at www.zavio.com , web-based configuration. Configuration of backup and restore firmware upgrades over HTTP
Minimum web browsing requirement	Pentium 2.8GHz (or equivalent AMD) 256MB RAM graphic cards (or equivalent on-board graphic cards) 1G RAM Windows 2008, XP, Vista or Windows 7 Mac OS Leopard 10.5 or later
Dimensions (HxWxD)	φ96 x 263 mm, incl. bracket
Weight	750g excl. power supply
Included accessories	Quick installation guide, mounting and connector kits
Certification	CE, FCC, RoHS

Integration	
Video management software	ZAVIO CamGraba IP System software, for viewing, recording and archiving up to 64 cameras See http://www.zavio.com/softwaredownloads.php for more software application

Part Names and Functions



Dimensions

