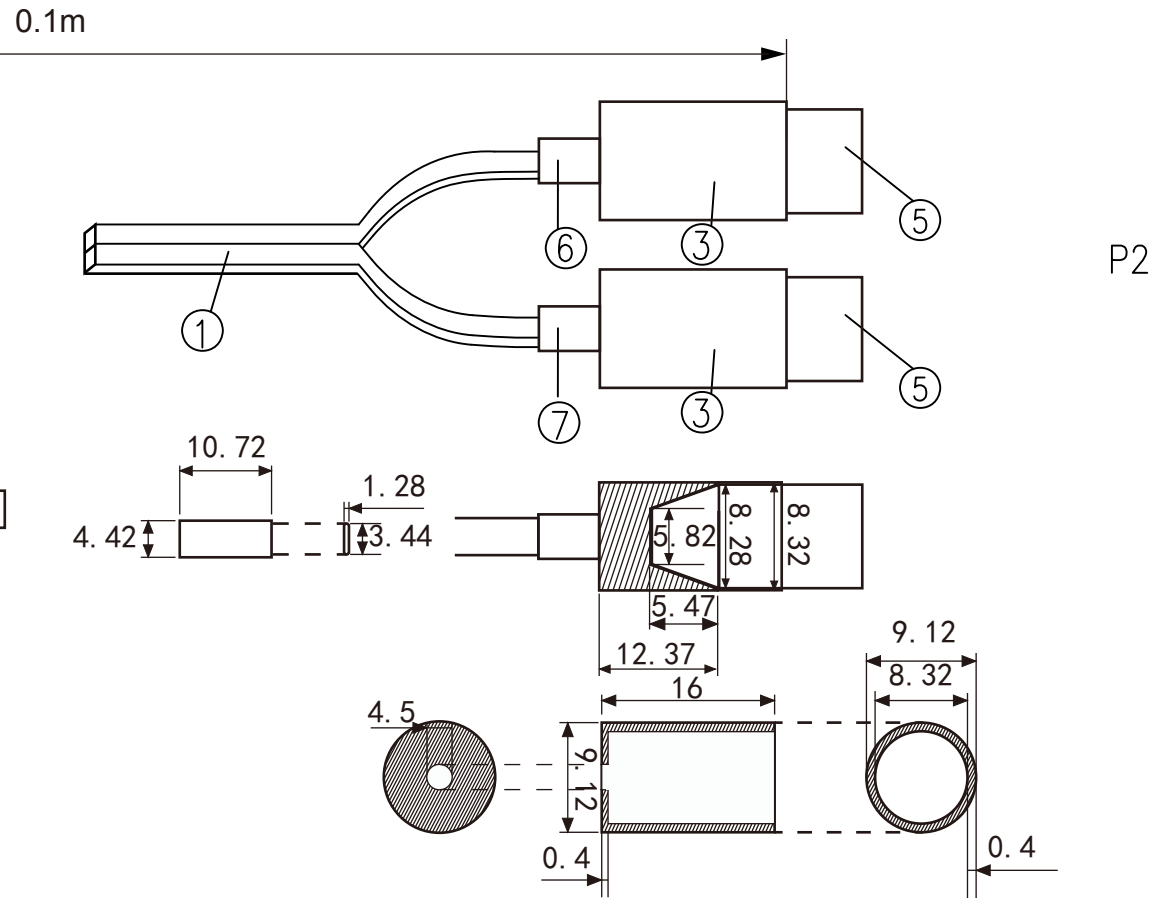
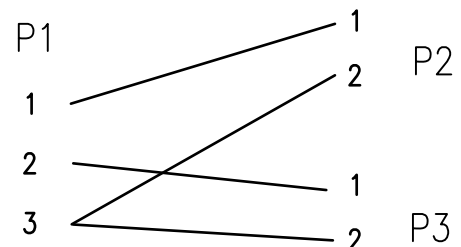


PIN OUT



⑦	HOOD MOLD	1PCS	RED PVC
⑥	HOOD MOLD	1PCS	WHITE PVC
⑤	RCA FEMALE	2PCS	GOLD PLATED SHELL
④	HOOD MOLD	1PCS	WHITE PVC
③	BRASS HOOD	3PCS	BLACK NICKEL PLATED
②	3.5mm MALE	1PCS	GOLD PLATED SHELL
①	CABLE	2PCS	30AWG*4P+WHITE TPE JACKET FLAT CABLE OD:1.2x3.5mm
NO.	PARTS NAMF	Q'TY	SPFCIFICATION

NOTES:
 1. TESTING: 100% OPEN AND SHORT TEST.
 2. ALL MATERIAL BE RoHS COMPLIANT.

APPROVED	CHECKED	DRAWN	CUSTOMER:	
			ITEM NO.	AUD-211
			DRAW NO.	
			UNIT	mm
			SCALE	NONE

DESCRIPTION:
 2xRCA /F----3.5mm/M

