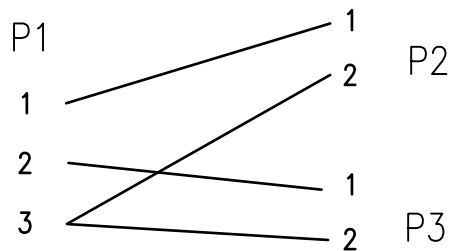
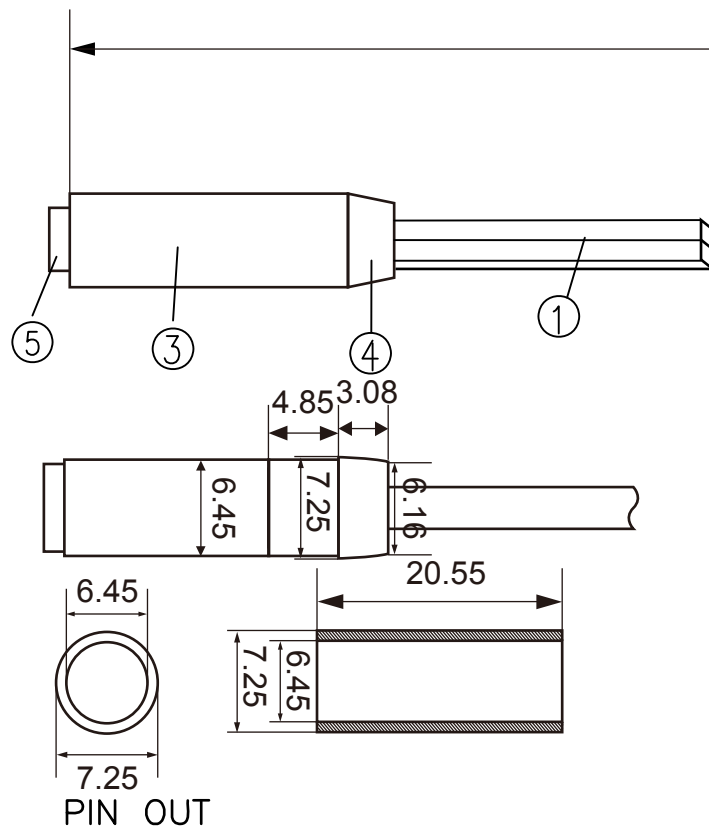
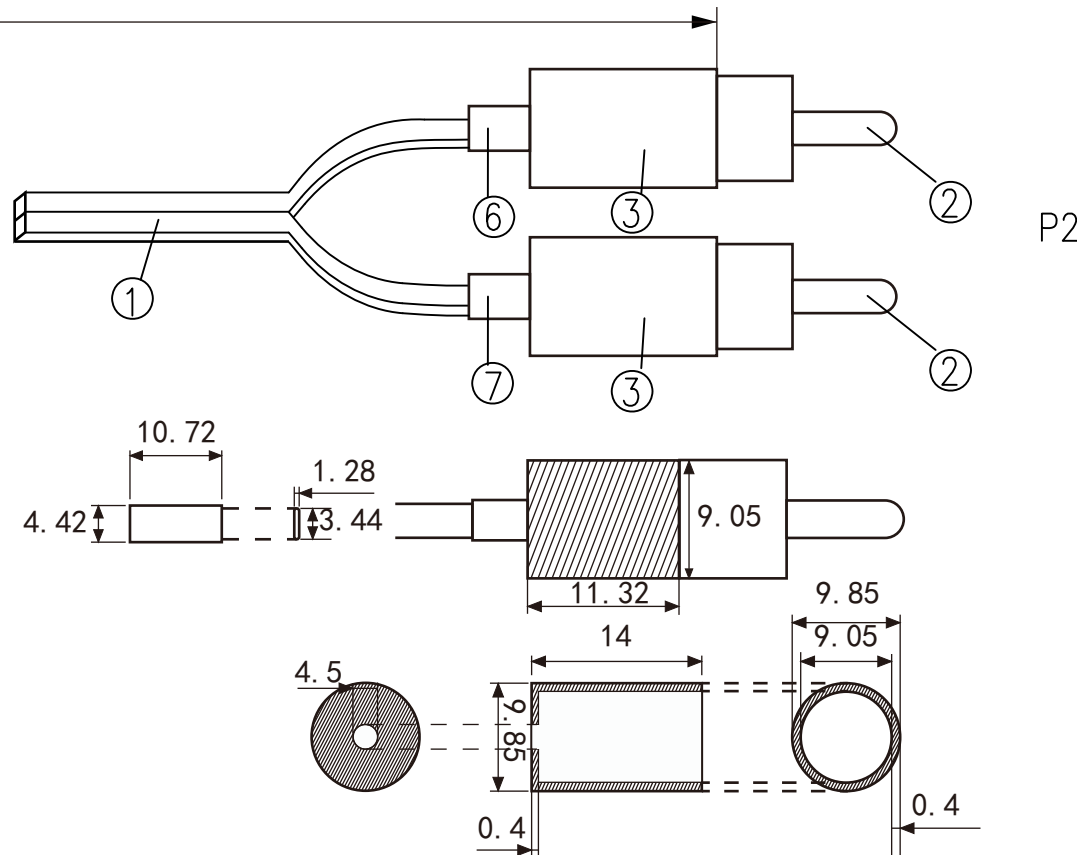


P1



0.1m



P2

⑦	HOOD MOLD	1PCS	RED PVC
⑥	HOOD MOLD	1PCS	WHITE PVC
⑤	3.5mm FEMALE	1PCS	GOLD PLATED SHELL
④	HOOD MOLD	1PCS	WHITE PVC
③	BRASS HOOD	3PCS	BLACK NICKEL PLATED
②	RCA MALE	2PCS	GOLD PLATED SHELL
①	CABLE	2PCS	30AWG*4P+WHITE TPE JACKET FLAT CABLE OD:1.2x3.5mm
NO.	PARTS NAMF	Q'TY	SPFCIFICATION

NOTES:

1. TESTING: 100% OPEN AND SHORT TEST.
2. ALL MATERIAL BE RoHS COMPLIANT.

APPROVED	CHECKED	DRAWN	CUSTOMER:
			ITEM NO. AUD-210
			DRAW NO.
			UNIT mm
			SCALE NONE

DESCRIPTION:

2xRCA /M----3.5mm/F

