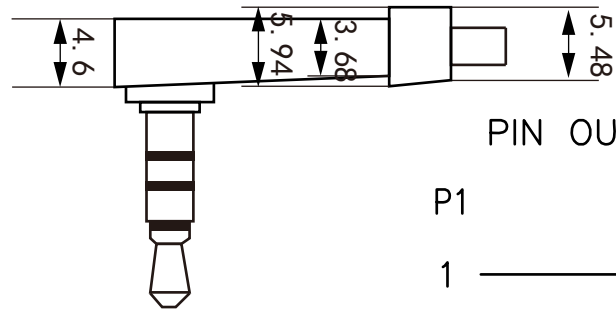
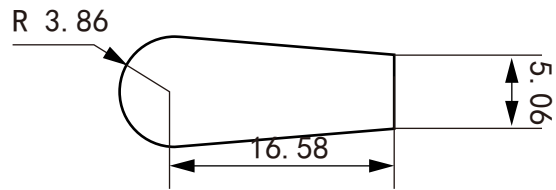
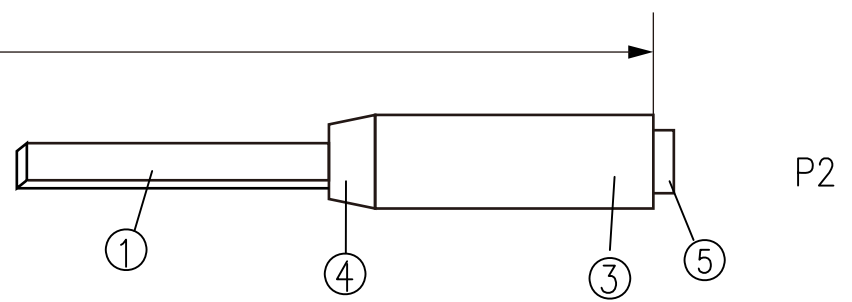
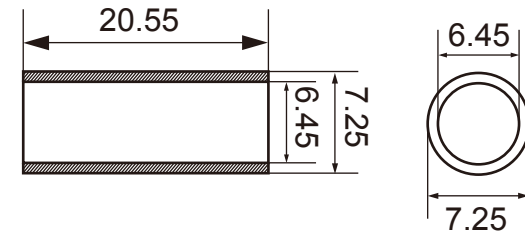
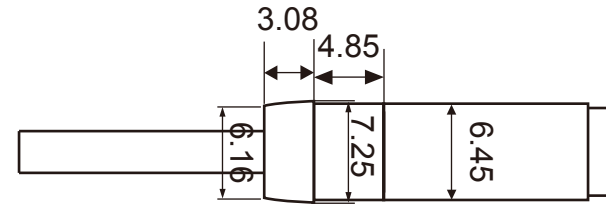


0.5m



PIN OUT

	P1	P2
1	_____	1
2	_____	2
3	_____	3
4	_____	4



NOTES:

- TESTING: 100% OPEN AND SHORT TEST.
- ALL MATERIAL BE RoHS COMPLIANT.

⑤	3.5mm(4P) FEMALE	1PCS	GOLD PLATED SHELL
④	HOOD MOLD	2PCS	WHITE PVC
③	BRASS HOOD	2PCS	BLACK NICKEL PLATED
②	3.5mm(4P) MALE ANGLE	1PCS	GOLD PLATED SHELL
①	CABLE	1PCS	30AWG*4P+WHITE TPE JACKET FLAT CABLE OD:1.2x3.5mm
NO.	PARTS NAMF	Q'TY	SPFCIFICATION

APPROVED	CHECKED	DRAWN	CUSTOMER:	
			ITEM NO.	AUD-162
			DRAW NO.	
			UNIT	mm
			SCALE	NONE

DESCRIPTION:

3.5mm (4P)/M----3.5mm(4P)/F

