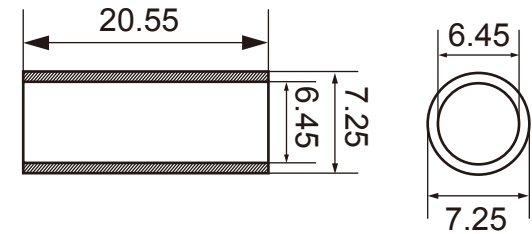
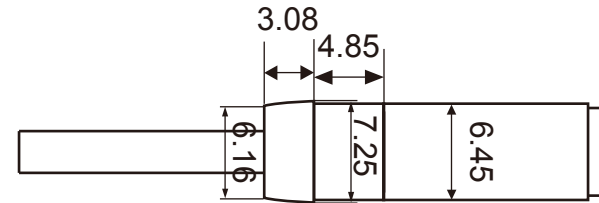
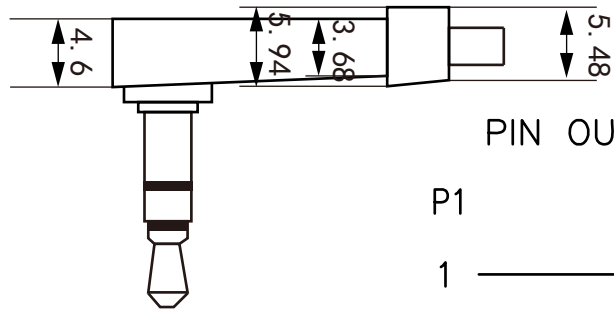
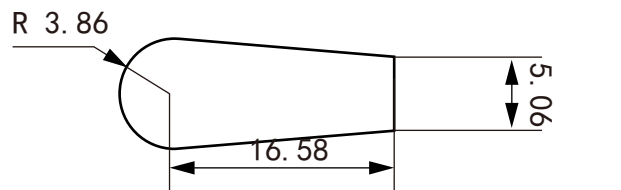
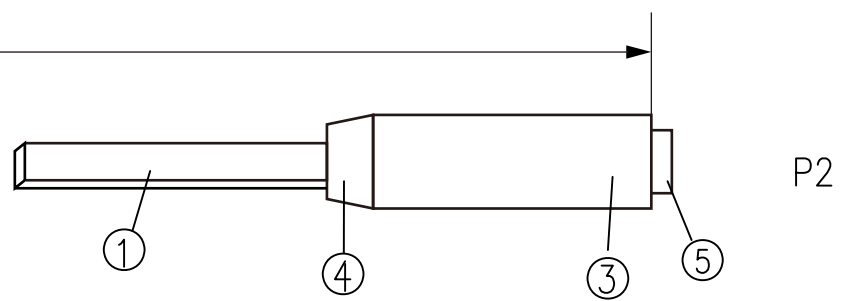


0.5m



PIN OUT

	P1	P2
1	—————	1
2	—————	2
3	—————	3
4	—————	4

⑤	3.5mm(4P) FEMALE	1PCS	GOLD PLATED SHELL
④	HOOD MOLD	2PCS	BLACK PVC
③	BRASS HOOD	2PCS	BLACK NICKEL PLATED
②	3.5mm(4P) MALE ANGLE	1PCS	GOLD PLATED SHELL
①	CABLE	1PCS	30AWG*4P+BLACK TPE JACKET FLAT CABLE OD:1.2x3.5mm
NO.	PARTS NAMF	Q'TY	SPFCIFICATION

NOTES:

- TESTING: 100% OPEN AND SHORT TEST.
- ALL MATERIAL BE RoHS COMPLIANT.

APPROVED	CHECKED	DRAWN	CUSTOMER:
			ITEM NO. AUD-160
			DRAW NO.
			UNIT mm
			SCALE NONE

DESCRIPTION:

3.5mm (4P)/M----3.5mm(4P)/F

