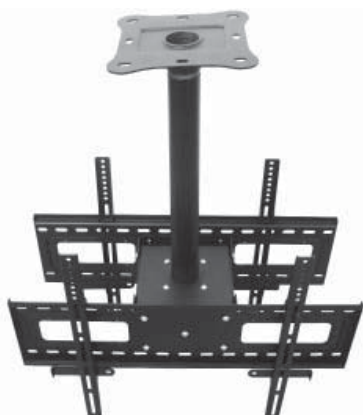


# AV417

## PLASMA/LCD DISPLAY CEILING MOUNT (DOUBLE)



### DESCRIPTION

Extremely flexible design allows you to fit almost any popular Plasma/LCD in the industry.

### FEATURES

- Fast and easy installation
- 360° Rotation viewing angle
- Includes mounting hardware kit
- Locking bars for security

### TECHNICAL SPECIFICATION

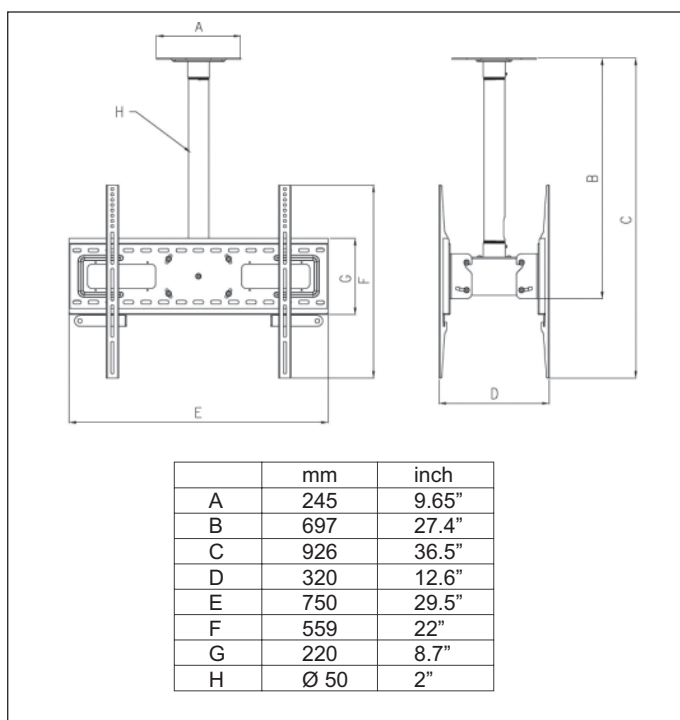
**PLASMA SIZE:** Suitable for 37" to 50"

**LENGTH OF HOOK:** 559mm (22")

**TILT ANGLE:** +20 degree / -5 degree

**LOAD CAPACITY:** 100kg (220 lbs)

**COLOR OPTION:** Black



\* Specifications are subject to change without notice.