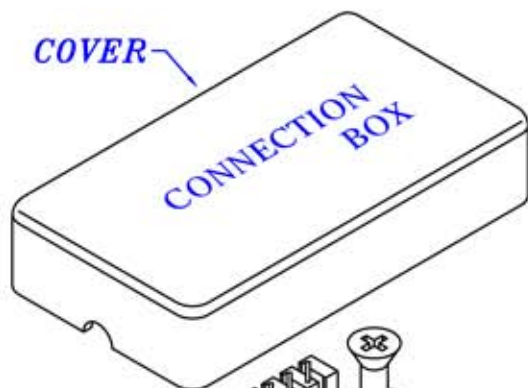


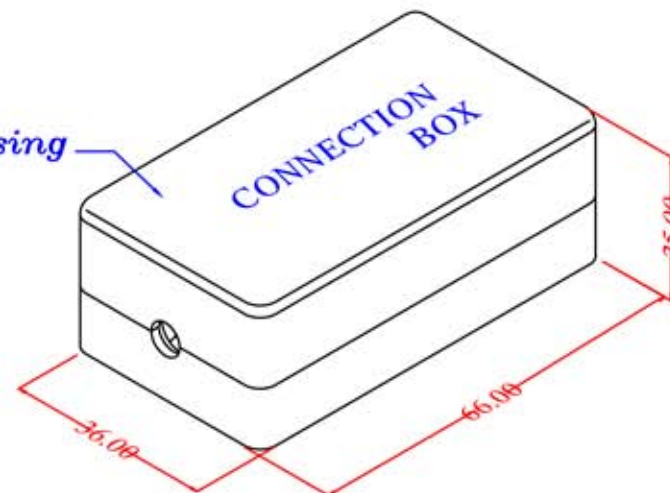
RevNo	Revision note	Rev-By	RevDate	Signature	Checked

CONNECTION BOX

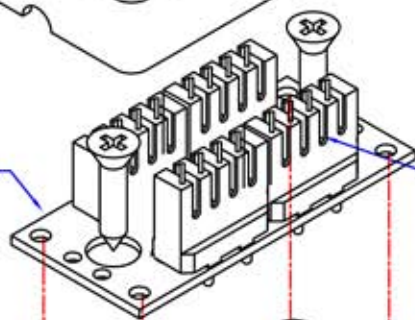
CUSTOMER NO: 757-U



Black Housing



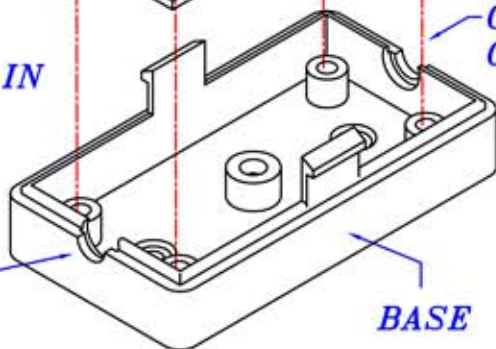
PC BOARD



**TERMINAL BLOCK
D: DUAL BLOCK**

**CABLE OUT
OD:5-8.0mm**

CABLE IN



**EIA T-568B
WIRING
COLOR CODE**

1	WH/OR	1
2	OR	2
3	WH/GN	3
4	BL	4
5	WH/BL	5
6	GN	6
7	WH/BR	7
8	BR	8

Specification

1. Plastic Material: ABS.
2. IDC: DUAL Block
IDC Material: ABS. UL94 V0
IDC Terminal Material: Phosphor Bronze with 50 micro-inch Tin-lead plated over 50-60 micro-inch Nickel plated.
3. P.C. board: FR4 P.C.B. 1.6MM thickness, double side
4. Shield: Phosphor Bronze with Nickel plated.

**CONNECTION BOX FOR 4 TWISTED PAIRS (UTP)
FOR USE IN CATEGORY 5e,5,4,3...ETC.**

ITEM NO.					
CUSTOMER NO.		757-U			
DESIGNED BY ALEX	DATE	060515	UNIT	MM	
	SCALE	xx	VER.	1	
NO.		Checked by			
APPR:		Approved by -date			

