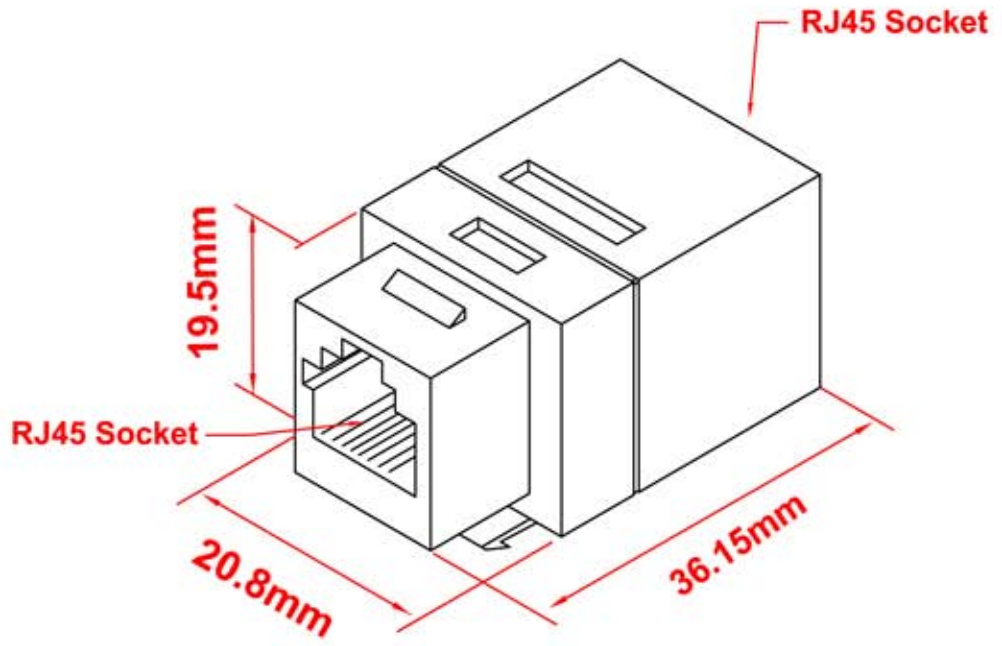


RevNo	Revision note	Rev-By	RevDate	Signature	Checked

PANEL MOUNT KEYSTONE JACK ADAPTER

CUSTOMER NO: 684-8



ITEM NO.				
CUSTOMER NO.	684-8			
DESIGNED BY ALEX	DATE	061029	UNIT	MM
	SCALE	xx	VER.	1
NO.	Checked by			
APPR:		Approved by -date		

