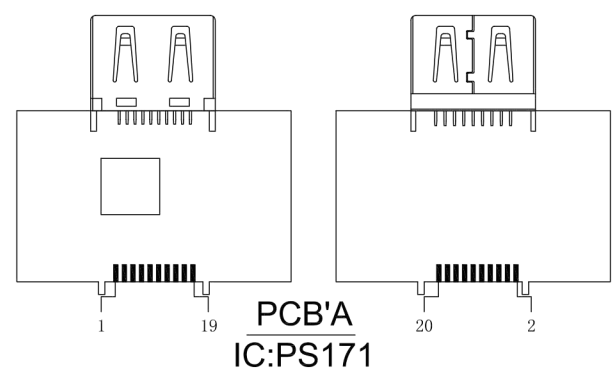
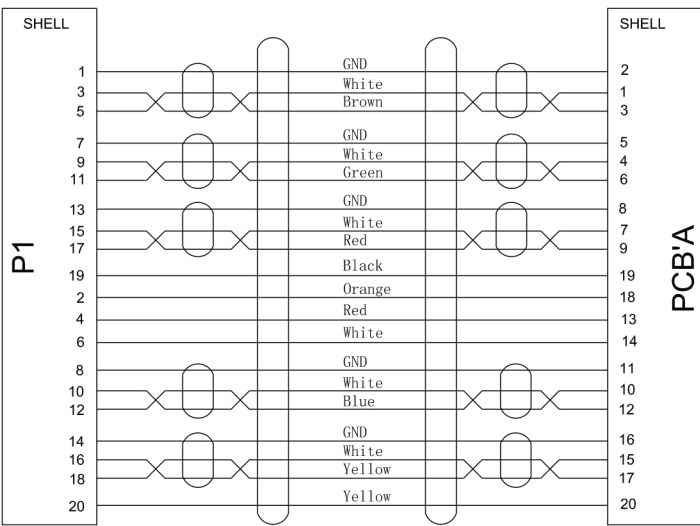
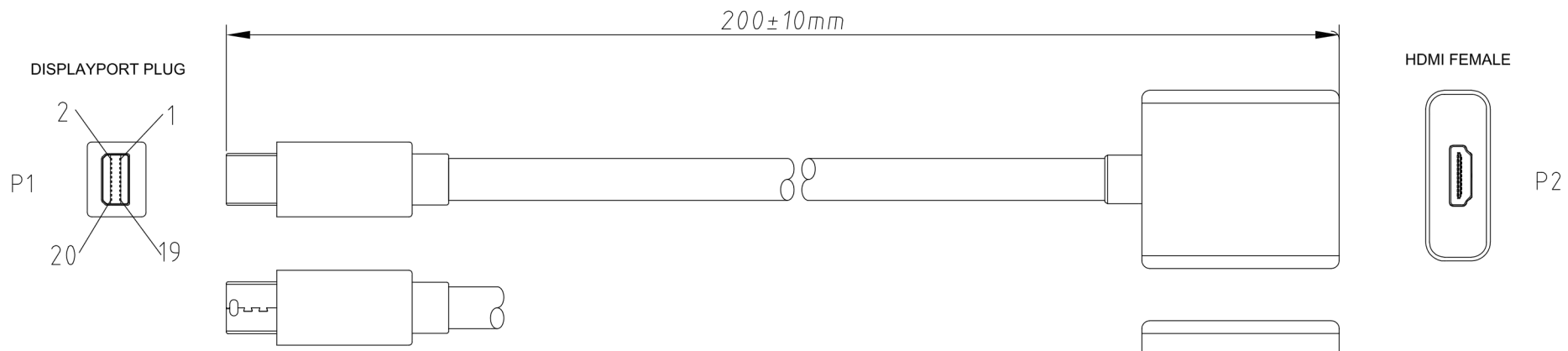


RoHS Compliant

REV	DESCRIPTION OF CHANGE	DATE
A0	INITIAL RELEASE	2014-12-29



3840\*2160P/30Hz RESOLUTION RATIO

5	PE	PE-0001	LDPE (RoHs) -PE101	1.80g
4	PVC	PVC-0002	60P PVC White	3.15g
3	Case	SL-WH0013	VGA, DVI, HDMI White ABS Case	1 Pcs
	Front Cover	SL-WH0020	HDMI F White ABS Front Cover	1 Pcs
	Connector	XY-C266-112-G2	DP TO HDMI A/F PCB'A, Gold Plated	1 Pcs
2	Case	SL-WH00070	Mini DP M White ABS Case	1 Pcs
	Front Cover	SL-WH0124	Mini DP M White ABS Front Cover	1 Pcs
	Connector	CN-G0001	Mini DP M, Gold Plated	1 Pcs
1	Cable	DPO-55-3201	UL20276 (32AWG*1P+D+AL/MY)*5C+32AWG*5C+AL+D+BRAID (AMA), JACKET PVC White. OD=5.5±0.20mm	1 Pcs
NO.	Material name	Item number	Specifications Description	Quantity

图号 (DWG NO)	XY-A1620	单位 (UNIT)	MM	
版次 (REV)	A0	比例 (SCALE)	任意	
页次 (PAGE)	1/1			
设计 (DESIGN)	Dean	<small>DIMENSIONS ARE IN MILLIMETERS TOLERANCES:</small> LINEAR: X ± 1.0 XX ± 0.5 XXX ± 0.15 XXXX ± 0.05 ANGULAR: ± 0.5°	TITLE	DP-HDMI26-K
审核 (CHECKED)			PART NO	
核准 (APPROVED)				