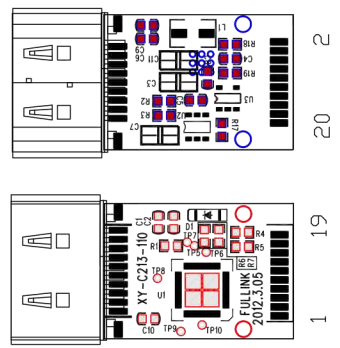
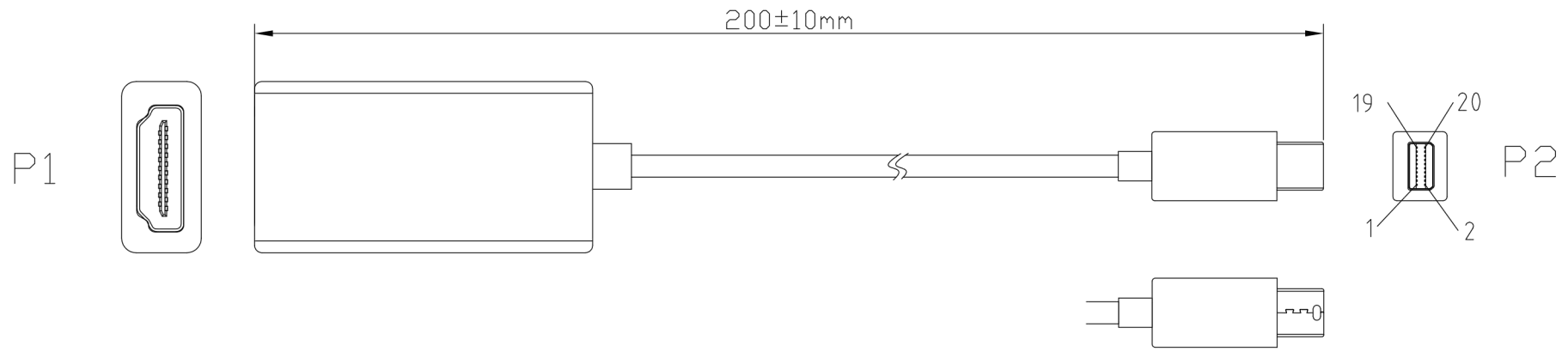
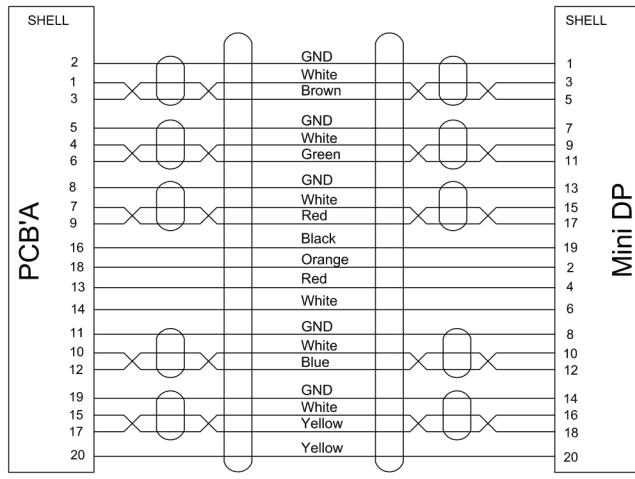


RoHS Compliant

REV	DESCRIPTION OF CHANGE	DATE
A0	INITIALRELEASE	2014-12-30



IC: PS8402



5	PE	PE-0001	LDPE(RoHs)-PE101	1.80g
4	PVC	PVC-0001	60P PVC Black	3.15g
3	Case	SL-BK0035	HDMI Black ABS Case	1 Pcs
	Front Cover	SL-BK0065	HDMI F Black ABS Front Cover	1 Pcs
	Connector	XY-C213-113-G	DP TO HDMI A/F PCB'A,Gold Plated	1 Pcs
2	Case	SL-BK0094	Mini DP M Black ABS Case	1 Pcs
	Front Cover	SL-BK0125	Mini DP M Black ABS Front Cover	1 Pcs
1	Connector	CN-G0001	Mini DP M,Gold Plated	1 Pcs
	Cable	DP1-55-3207	UL20276(32AWG*1P+D+AL/MY)*5C+32AWG*5C+AL+D+BRAID(AMA), JACKET PVC Black. OD=5.5±0.20mm	1 Pcs
NO.	Material name	Item number	Specifications Description	Quantity

3840*2160P/30Hz RESOLUTION RATIO

图号(DWG NO)	XY-A1616	单位(UNIT)	MM
版次(REV)	A0	比例(SCALE)	任意
页次(PAGE)	1/1		
设计(DESIGN)	Dean		
审核(CHECKED)		DIMENSIONS ARE IN MILLIMETERS TOLERANCES:	
核准(APPROVED)		LINEAR: X ±1.0	
		X.X ±0.5	
		X.XX ±0.15	
		X.XXX ±0.05	
		ANGULAR: ±0.5°	

TITLE	DP-HDMI25-K
PART NO	

