

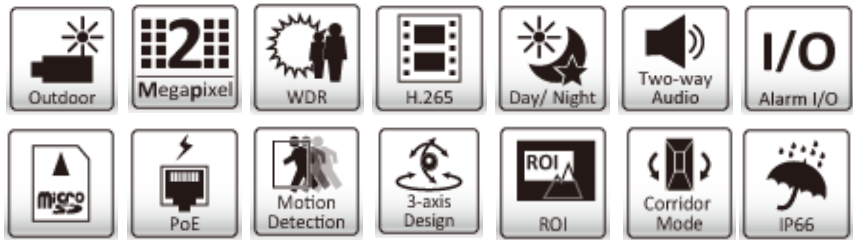
ZAVIO D4220

2MP Outdoor IR Mini Dome IP



TBD

- 30fps @ 1920 x 1080
- H.265, 50% lower bitrate
- Startling Performance
- Smart IR 15m
- Corridor mode
- ROI
- IK08 vandal-proof



The ZAVIO D4220 is an outdoor ready IR Mini Dome Camera, featuring 2MP resolution with video image of 1920 x 1080 at 30 fps. Latest H.265 compression to cut bandwidth and storage requirements in half.

Huge 1/2.8" Sony starlight sensor with 2Mp resolution @ 30 fps that gives the most details.

True WDR to handle the most challenging lighting conditions

As a true day and night camera, the ZAVIO D4220 has a automatic removable IR-cut filter and 15m Smart IR illuminators, can solve the problem of infrared LEDs whiting out images. Besides, D4220 has Corridor Format and ROI technology that allows camera to maximize video surveillance in narrow vertical situations and to decrease non-ROI's image quality to save on maximum bandwidth and storage.

Coupled with its small size, 3-axis mounting mechanism, IK08 vandal-proof and IP66, D4220 is designed to be mounted on walls or ceilings, indoor or outdoor.

Compatible with ZAVIO CamGraba 2.0, the most professional NVR software for free bundled can support up to 64 IP cameras and plug-and-play cloud solution, you can easily setup a surveillance system and 24-7 monitor from mobile devices, PC or laptop



Accessories



- L-type bracket

Available Models

D4211, D4320, D4520

Related models

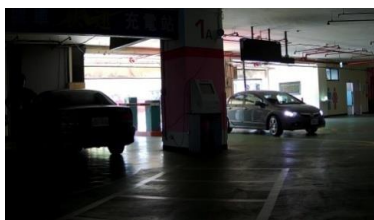
Model Name	D4211	D4320	D4520
Features	IR	IR	IR
	Mini Dome	Mini Dome	Mini Dome
	Full HD 1080p	3MP	5MP
	H.264	H.265	H.265
	PoE		PoE
	IP66/IK08	IP66/IK08	IP66/IK08



Features

- 1/2.8" 2-Megapixel CMOS sensor
- H.265, H.264, and Motion JPEG compression
- 30fps @ 1920 x 1080
- 2.8mm, F2.0 megapixel fixed lens
- True day & night with automatic removable IR-cut filter
- Smart IR 15m
- Corridor mode
- ROI(region of interested)
- Two-way audio and built-in microphone
- 1 x alarm input, 1 x alarm output
- RTC with built-in battery
- Screwless 3-axis angle adjustment for easy installation on wall or ceiling
- IK08 vandal-proof
- IP66 weatherproof
- SSL v3 advanced HTTPS encryption
- Full support for Firefox, Safari and Mac OS
- Supports Samba network storage
- Multi-lingual user interface
- ONVIF 2.4 and Profile S compliant
- Free 64 channels ZAVIO CamGraba 2.0 NVR software
- Supports True Plug and Play Cloud Solution

WDR



WDR off



WDR on

Applications



1. Office
2. Public Area (indoor or outdoor)

IP Surveillance Solutions

• Free 64ch NVR Software

The most professional NVR software you can get for free!

- Support up to 64 channels
- Up to 128 channels remote live view
- Remote playback 16 channels
- Multi-site / multi-server
- Transcoding (record high quality, transcode to different resolution / frame rate for remote client to save bandwidth)
- iOS/ Android mobile client (multi-channel live view | playback | PTZ & I/O control)
- E-maps (up to 4 layers | unlimited number of maps | video preview)
- Dual monitor
- ePTZ
- Multi-lingual user interface



• ONVIF

All IP cameras are ONVIF 2.x & Profile S compliant, and continuously upgraded to comply with the latest versions



• NVR Recorders

The most cost-efficient way to professionally view, record and manage up to 32 Full HD cameras

- Up to 32 channels
- Up to 4HDDs or 16TB of storage
- Up to 160Mbps recording throughput
- Free CMS up to 128 channels remote live view
- Free P2P service, no more router settings
- One click setup
- HDMI, VGA dual video output
- RAID 0,1
- Supports 3rd party cameras
- Supports POS (Point-of-sale)
- Small and lightweight



Technical Specifications

Camera

Model	D4220 2MP Outdoor IR Mini Dome IP Camera
Image sensor	1/2.8" 2 MP CMOS sensor
Lens	F2.0, 2.8mm
Angle of view	100° horizontal
Min illumination	0.05 lux @ F2.0 (color) 0.001 lux @ F2.0 (B/W)
Day/Night function	Mechanical IR cut filter

Video

Video compression	Motion JPEG H.264 baseline/ main profile/ high profile H.265
Resolutions	Motion JPEG/ H.264/ H.265: 5 resolutions including from 1920 x 1080 to 320 x 240
Frame rate	H.264/ H.265/ MJPEG: 30fps @1080p
Video streaming	Simultaneous Motion JPEG, H.264, H.265 Controllable frame rate and bandwidth Support unicast (Real Time Streaming Protocol)
Image settings	Rotation: mirror, flip, mirror flip WDR Brightness, contrast, saturation, sharpness Overlay capabilities: time, date, text and privacy Image ROI Smart IR

Audio

Audio streaming	Two-way (full duplex)
Audio compression	G.711 μ law, a law, AMR, G.726 Built-in microphone, line input and line output

Network

Security	Multiple user access levels with password protection, HTTPS encryption
Protocols	Bonjour, TCP/ IP, DHCP, DNS, DynDNS, PPPoE, ARP, ICMP, FTP, SMTP, NTP, UPnP, RTSP, RTP, RTCP, HTTP, HTTPS, SSL, TCP, UDP
Users	10 simultaneous users

Alarm and Event Support

Alarm and event management	Input: network link down, alarm input, motion detection, periodical, audio detection Output: network storage, FTP, SMTP, HTTP event, alarm out HTTPS server Pre- and post event image
-----------------------------------	--

System

Connectors	RJ-45 Ethernet 10/ 100 Base-T (PoE) 2pin terminal block for DC power 6pin terminal block for 1 alarm input, 1 output, 1 audio line in 1 audio line out
Local storage	MicroSD card slot
LED Indicator	Power status indicator Network link indicator
Software integration	ONVIF 2.4 & Profile S
Video management software	Camera Installation Tool & Video Management Software- ZAVIO CamGraba2.0 for viewing recording and archiving up to 64 cameras

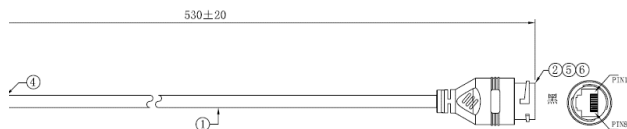
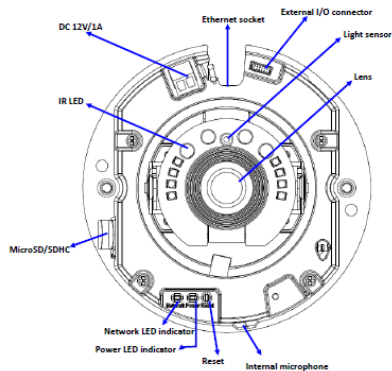
General

Casing	Aluminum casing
Housing	IP66 rated weatherproof housing Vandal-proof IK8 rated housing
Power	DC 12V or PoE IEEE 802.3af class 1 Power consumption: Max 5.4W
Operating conditions	Starting temperature: -10 ~ 50 °C (14 ~ 122 °F) Working temperature: -30~ 50 °C (-22 ~ 122 °F)
Installation, management, and maintenance	ZAVIO camera management tool on website and web-configuration. Configuration of backup and restore firmware upgrades over HTTP, firmware available at www.zavio.com
Minimum web browsing requirement	Intel Core i5 CPU @ 2.0GHz (or equivalent AMD) 512MB RAM graphic cards (or equivalent on-board graphic cards) 2GB RAM Windows 7 or later Mac OS Leopard 10.5 or later
Dimensions	φ115 x 70mm (3.9" x 2.7")
(HxWxD)	φ115 x 103.7mm (3.9" x4.14.7") junction box is included
Weight	300g (0.66lb) excl. power supply
Included accessories	Quick installation guide, plastic plate, and connector kits
Certification	CE, FCC, RoHS

Integration

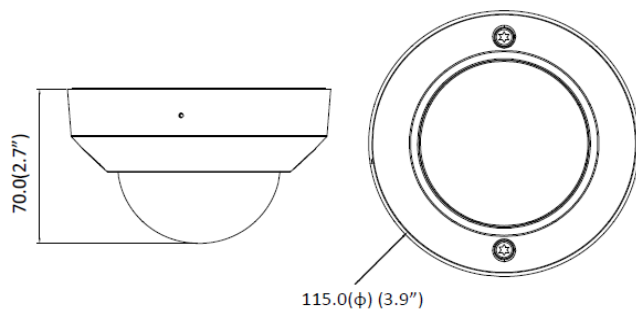
Video management software	ZAVIO CamGraba IP System software, for viewing, recording and archiving up to 64 cameras See http://www.zavio.com/softwaredownloads.php for more software application
----------------------------------	---

Part Names and Functions



TBD

Dimensions



TBD

Unit: mm (inches)



ZAVIO Inc. | 2F., No.24-2, Gongye E. 4th Rd., East Dist., Hsinchu City 300, Taiwan
www.zavio.com | TEL: 886-3-579-0275 | FAX: 886-3-668-6845 | E-Mail: sales@zavio.com