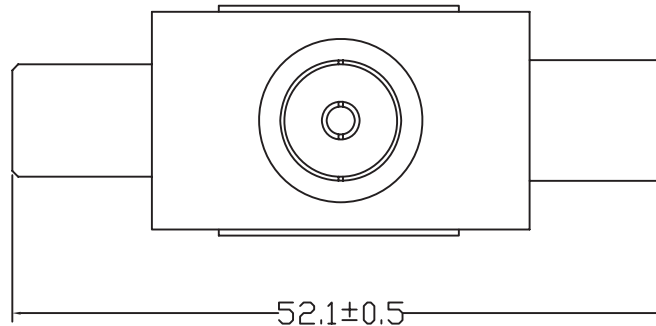
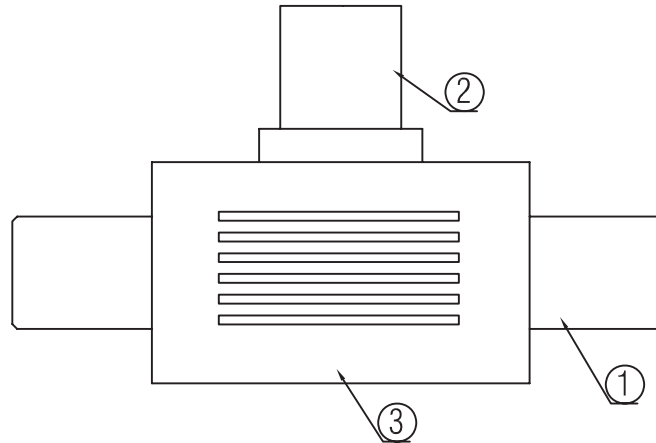
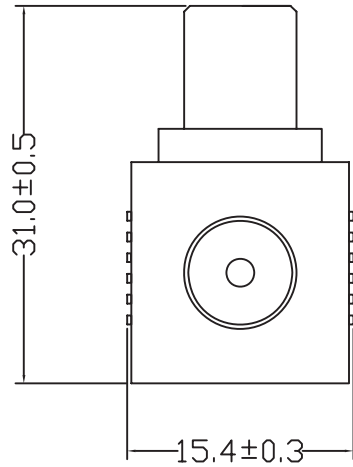



BY	CHK	REVISION RECORD MODIFICATIONS	DATE	REV.
Jimmy	Jimmy	RELEASE TO PRODUCTION	2007.03.15	A.0



Notes:

- 1.Electrical Test:
  - (1.1).100% Open Short and Miss Wire Test.
  - (1.2).Insulation Resistance:DC300V/0.01S 500K ohm MIN.
  - (1.3).Conduct Resistance:5ohm MAX.
- 2.ROHS Standard

③	Ouer Mold	Color:White	1PC
②	9.5/F	Insulation:White, Shell:Gold Plated	1PC
①	9.5/M	Insulation:White, Shell:Gold Plated	2PCS
NO.	PARTS NO.	Parts Name	Specification
			Q`TY

APPROVED	CHECKED	DRAWN	CUSTOMER:	SWEDELTAO	DESCRIPTION: 9.5/F-2*9.5/M ADAPTER	
			ITEM NO.	Del-650		
			DRAW NO.	CB043-C249		
			UNIT	mm		
			SCALE	NONE		